



## TIRA LED TW 23W

This CCT 3014 LED strips is characterized by a different color temperature can be arbitrarily adjusted in order to achieve the environment warm and cold tones of the different needs, to meet different lighting effects. This will not only widely expand the usage of the product, but also cut your cost, enabling stable performance and long term use.

### Qualities



### Led Colour



### Regulation

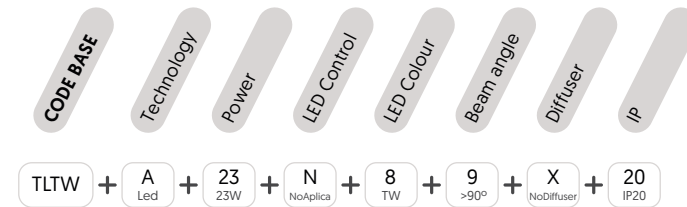


### Beam Angle

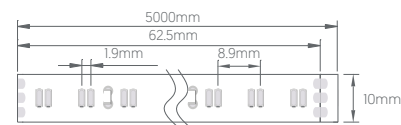


	W	VOLTAGE	TEMP	LUM/m	CRI
<b>Tira LED TW 23W</b>	23W	24V	TW	>1043	>90

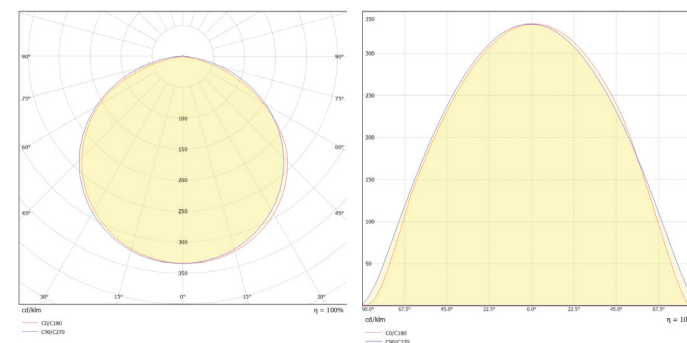
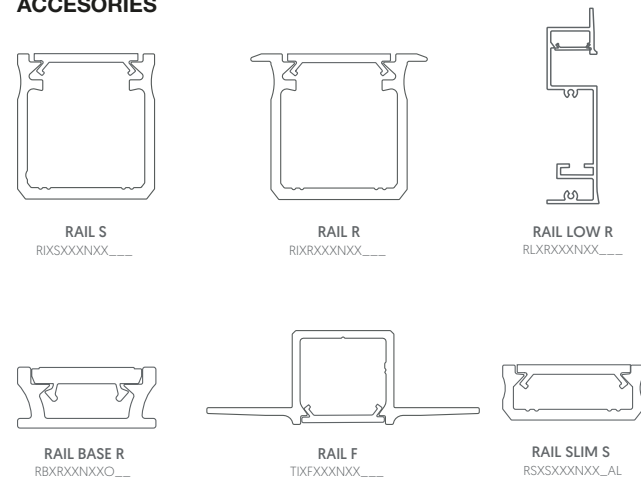
### REF. CODE



### TEC. DRAWINGS



### ACCESORIES



## TIRA LED DIGITAL 14.4W

Compatible with DMX512 (1990) protocol. Adopting RS485 signal trunk and signal differential transmission mode to ensure stronger ability of anti-interference and longer transmission distance. Automatically addressing with editor

### Qualities



### Led Colour



### Regulation

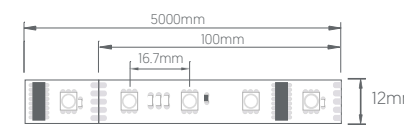


### Beam Angle

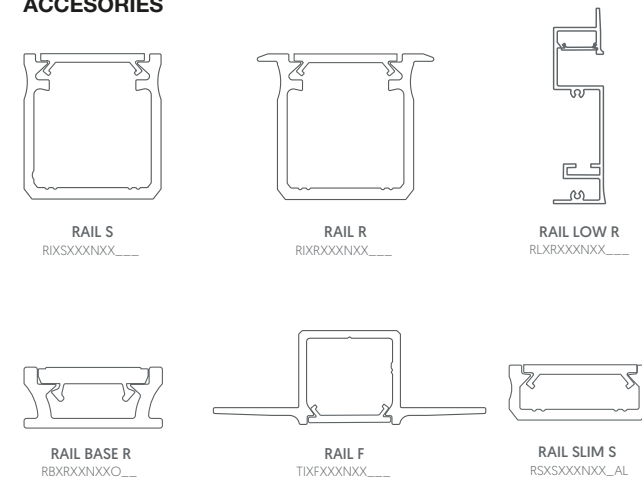


	W	VOLTAGE	TEMP	LUM	CRI
<b>Tira LED Digital 14.4W</b>	14.4W	24V	RGB+W	718	-

### TEC. DRAWINGS



### ACCESORIES



### REF. CODE

