



# QUARE Q

OUTDOOR



## SPECIFICATIONS

Qualities



Led Colour



Regulation



Beam Angle



Finish



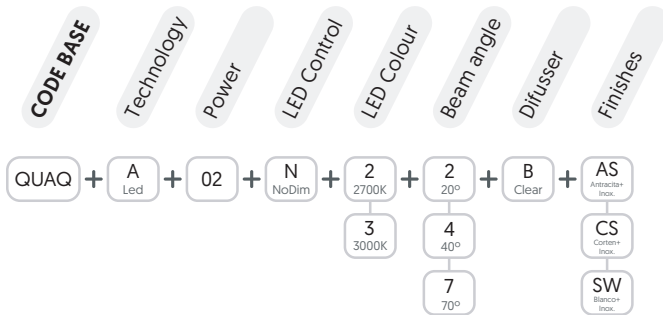
Diffuser



Installation



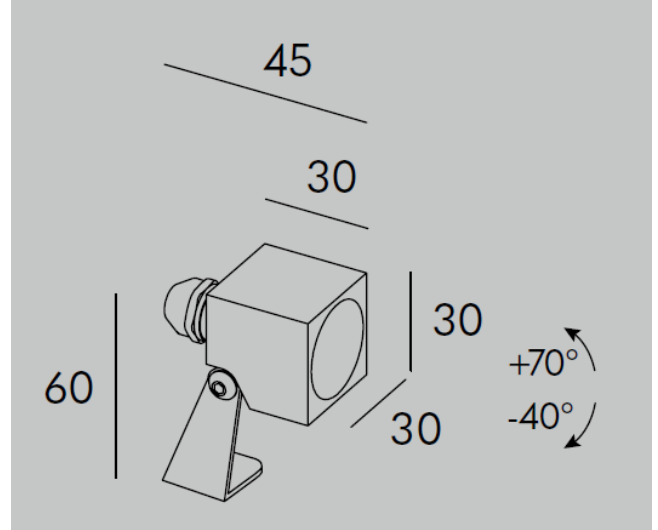
## REFERENCE CODE



## LIGHT SOURCE

	W	mA	TEMP	LUM	CRI
QUARE Q	2	500	2700K	155	>82
			3000K	172	

## TECHNICAL DRAWINGS



## ACCESORIES

