



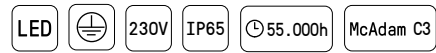
BODY FIVE

OUTDOOR



SPECIFICATIONS

Qualities



Led Colour



Regulation



Beam Angle



Finish



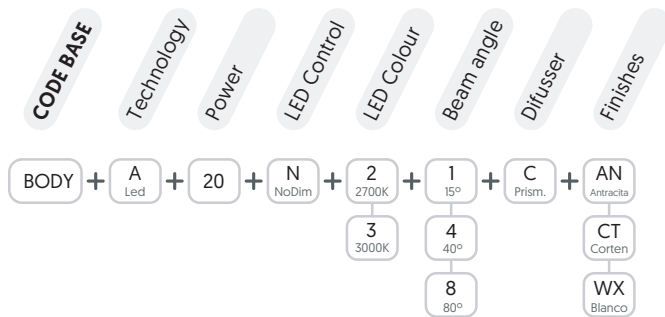
Diffuser



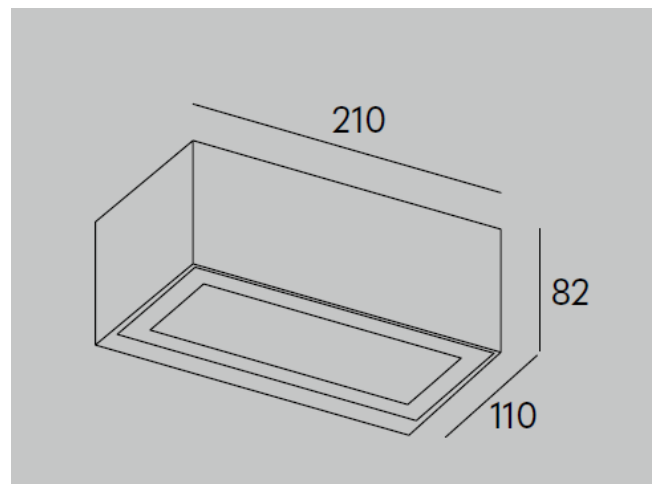
Installation



REFERENCE CODE



TECHNICAL DRAWINGS



LIGHT SOURCE

	W	V	TEMP	LUM	CRI
BODY FIVE	2x10	230V	2.700K	2x1145	>82
			3.000K	2x1272	