

Neon Recessed 1220 SV 10W/m

Neon Recessed 1220 SV is a silicone neon LED strip designed for side-view recessed installation, providing smooth and continuous linear lighting with no visible dots. Its recessed profile allows seamless integration into architectural surfaces, making it ideal for decorative and architectural lighting applications with a clean and discreet finish.



Qualities

- LED
-
- 24V
- IP44
- ⌚ 55.000h
- McAdam C2

Led Colour

- 2.7K
- 3K
- 4K

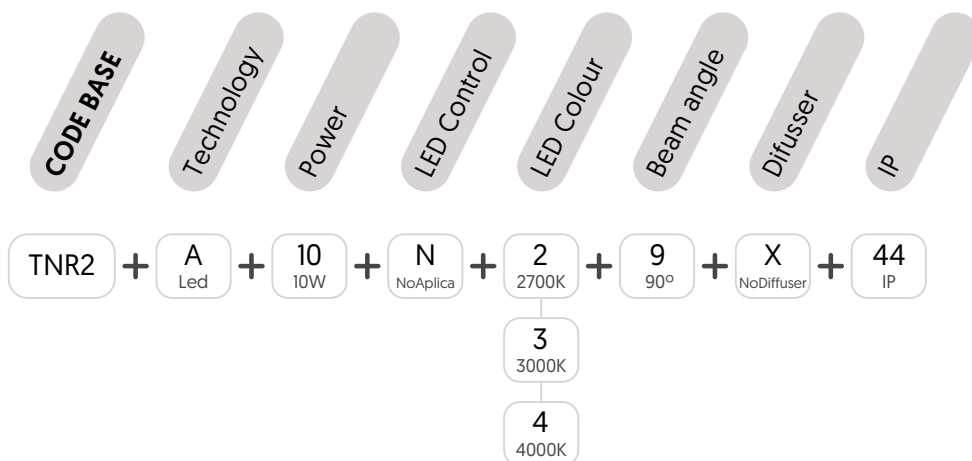
Regulation

- NO DIM
- DALI
-

Beam Angle

- 90°

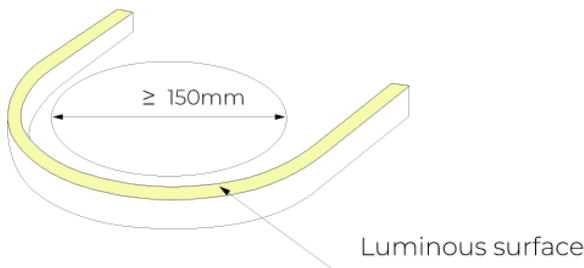
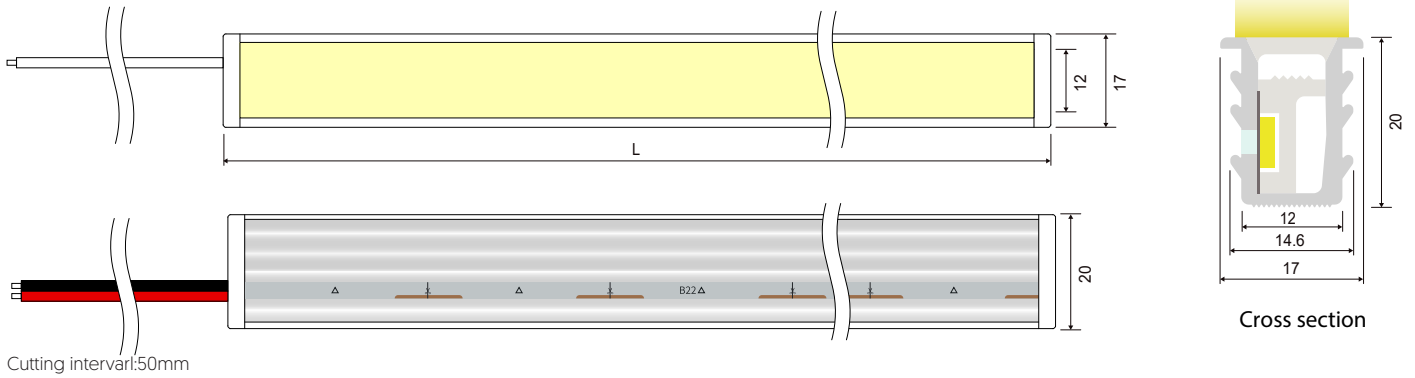
REF. CODE



PARAMETER

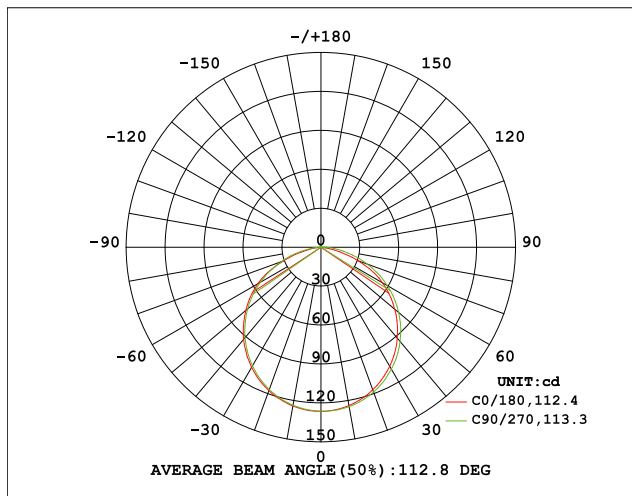
	W	V	TEMP	LUM/m	CRI
Neón Recessed 1220 HB 10W/m	10W	24V	2.700K	365	>90
			3.000K	370	
			4.000K	407	

TEC. DRAWINGS



Min bending diameter

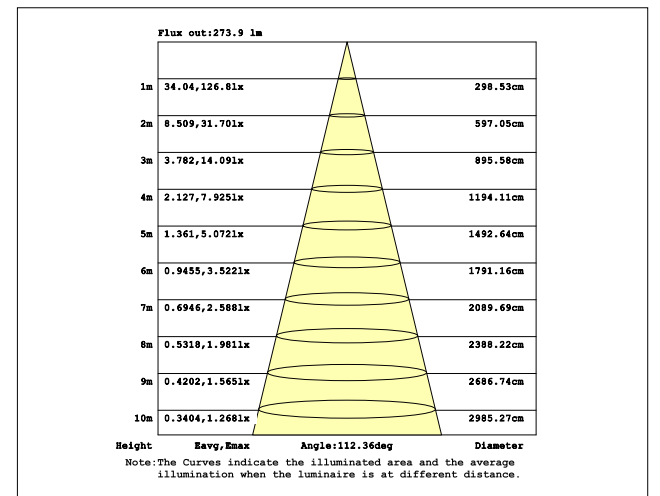
Light Distribution Curve



Technical Data

Model No.	Neon Recessed 1220 SV 10W/m
Dimension	12mmx20mm / 0.47inx0.79in
Voltage	DC24V
RA	>90
Dimming	Dimmable
Efficacy	40.7LM/W @4000K
Storage temperature	-25~60°C / -22~140F
Ambient Temperature	Min.25°C Max.+55°C

Illuminance Curve



Cable Lead Option

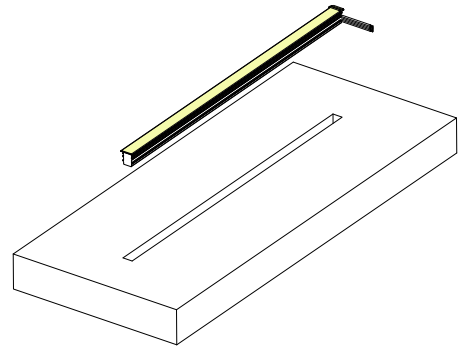
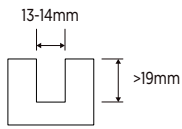


Front cable entry (standard)



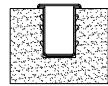
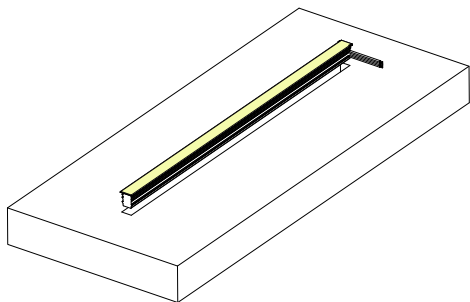
Closed end cap

Installation Steps

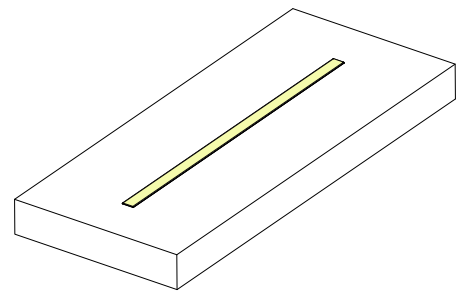


1. Make grooves and outlet holes according to the dimensions shown in the picture.

2. Pass the cable of the light through the reserved hole as shown in the figure.



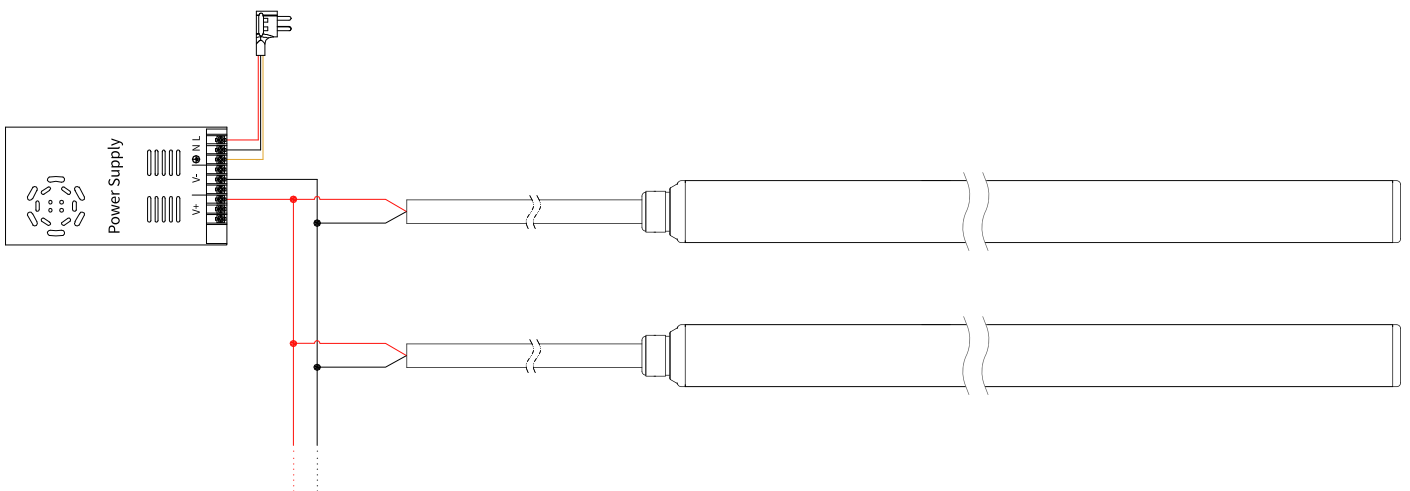
Section



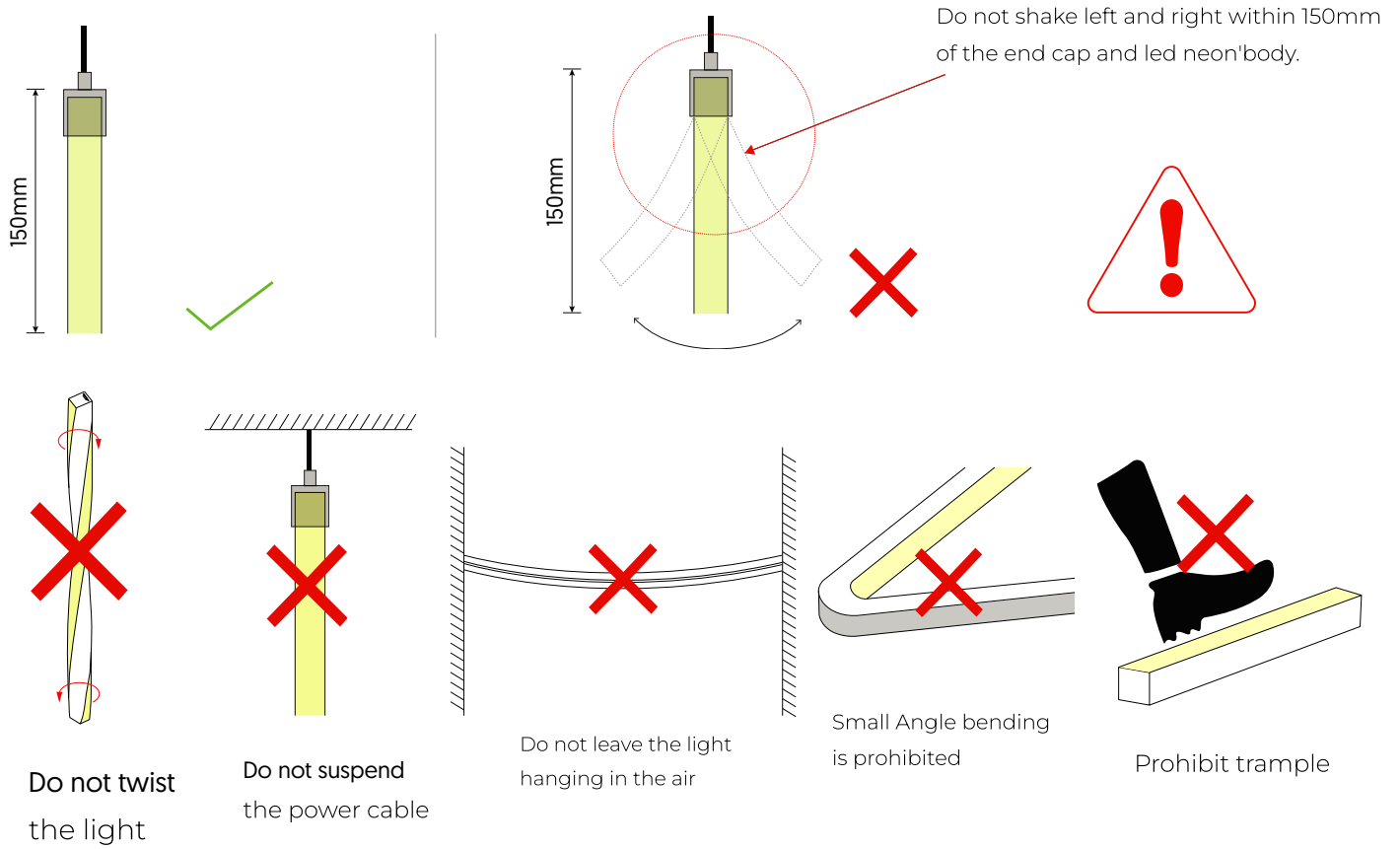
3. Align the light to the groove, press the glowing surface of the light, and fully embed the light into the groove.

4. Completed.

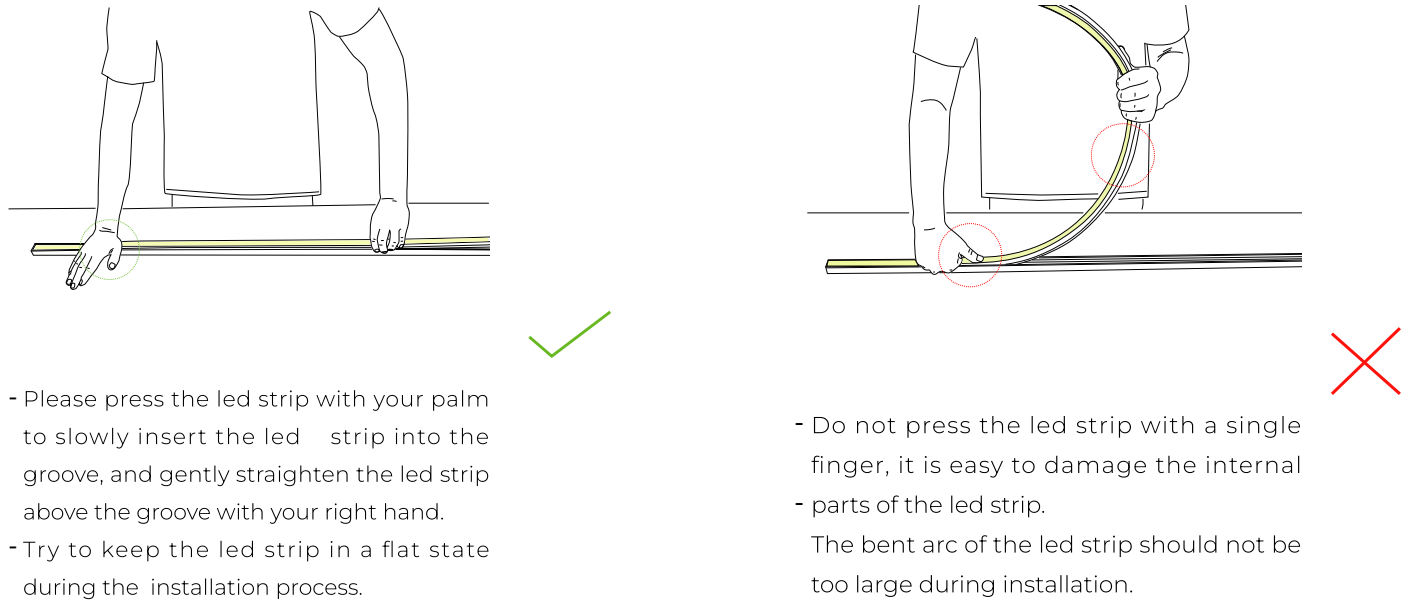
Connection diagram

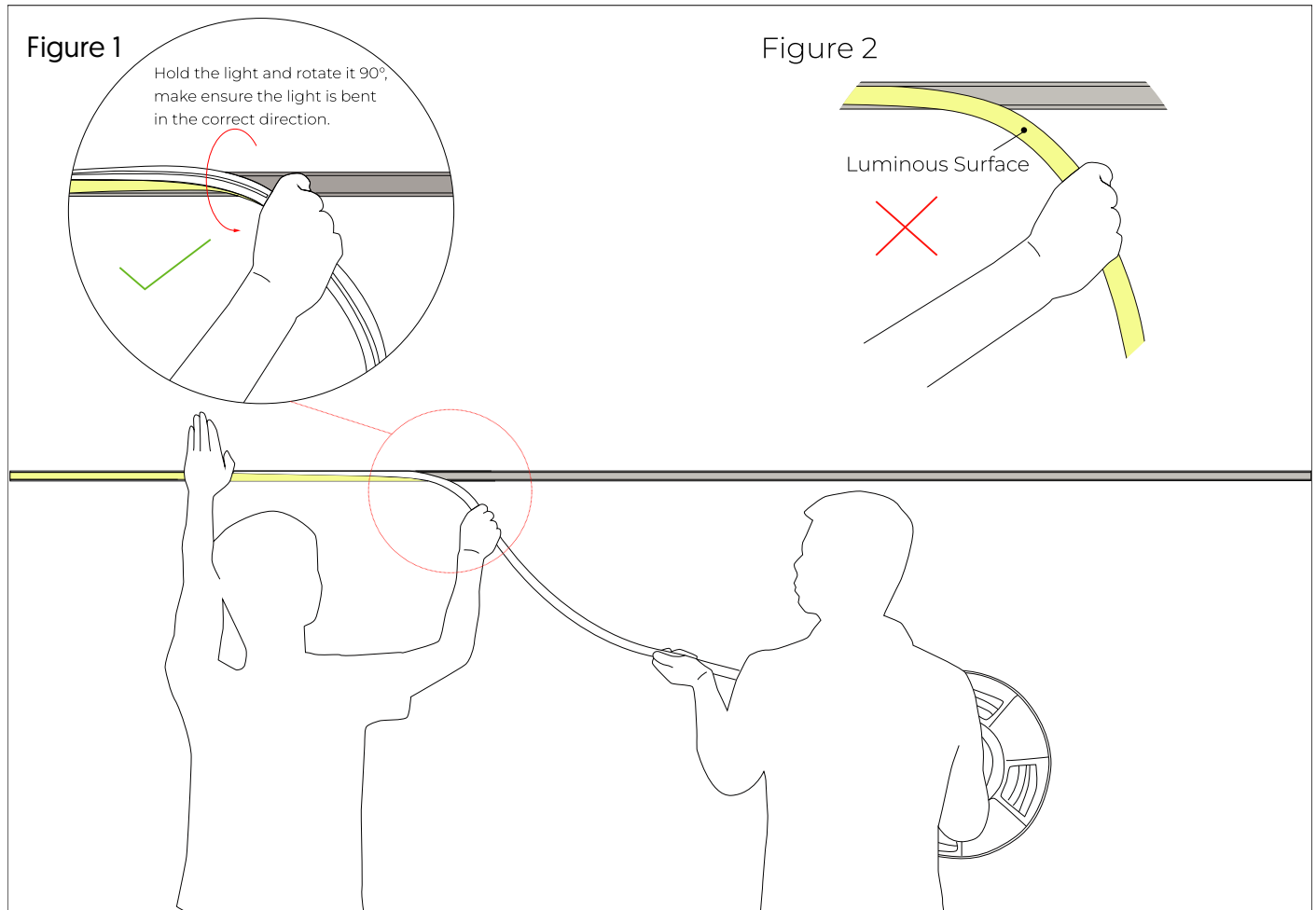


Installation Precautions



Put in the profile





1.Installer:

- Press the light with the palm of the left hand to slowly load it into the slot. Straighten the light with right hand, hold it and rotate it 90° to droop it in the direction of your hand. See Figure 1.
- Do not bend the luminous surface to the side. See Figure 2.

2.Assistant:

- Cooperate with the installer to lift the reel of the light, and then slowly deliver the light to installer. Do not pull or twist the light during the installation.