

Neon Recessed 1212 TV 10W/m

Neon Recessed 1212 TV is a silicone neon LED strip designed for top-view recessed installation, delivering smooth and uniform linear lighting with no visible dots. Its compact recessed profile enables seamless integration into architectural surfaces, making it ideal for decorative and architectural lighting applications with a clean, discreet finish.

Qualities

LED

24V
IP67
⌚ 55.000h
McAdam C2

Led Colour

2.7K
3K
4K

Regulation

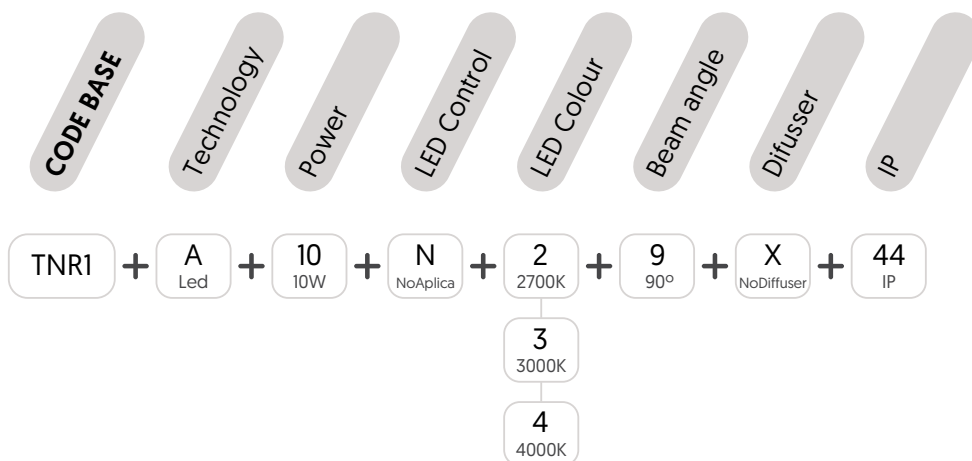
NO DIM
DALI

Beam Angle

90°



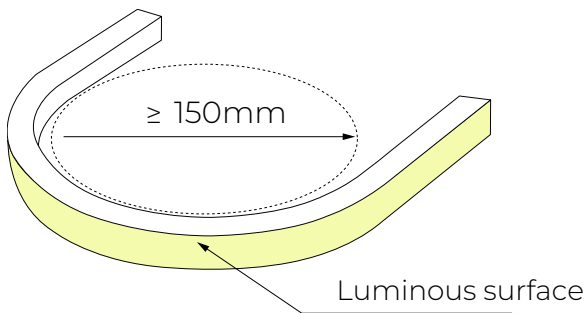
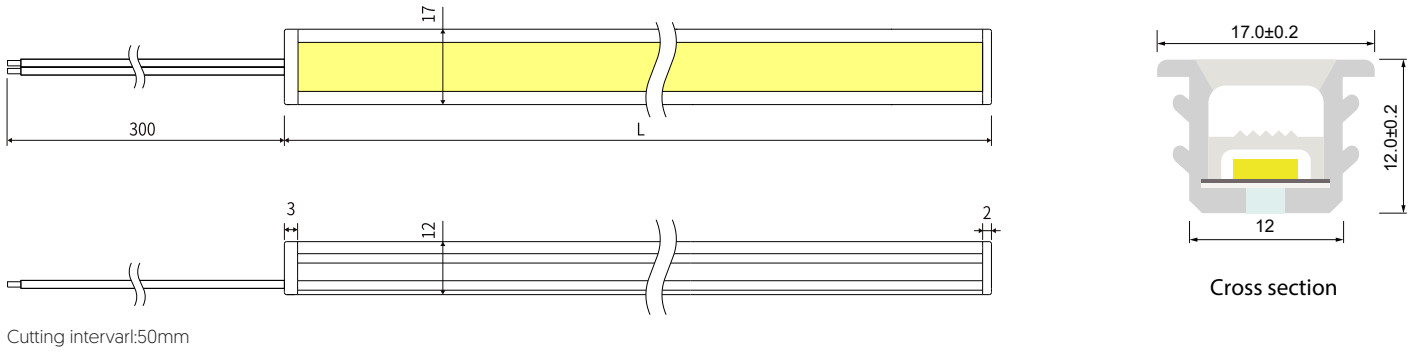
REF. CODE



PARAMETER

	W	V	TEMP	LUM/m	CRI
Neón Recessed 1212 VB 10W/m	10W	24V	2.700K	514	>90
			3.000K	536	
			4.000K	571	

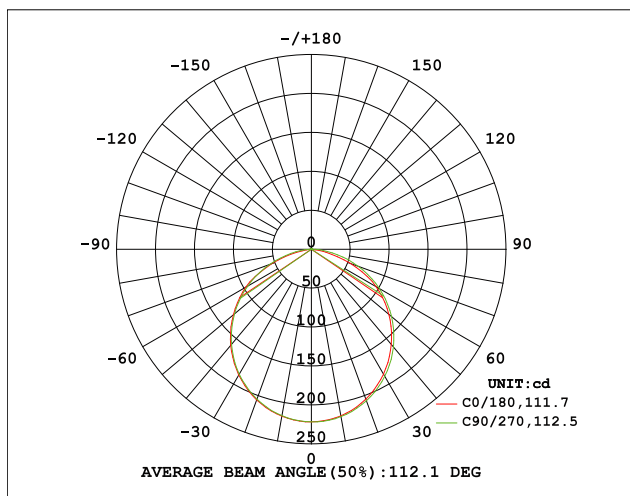
TEC. DRAWINGS



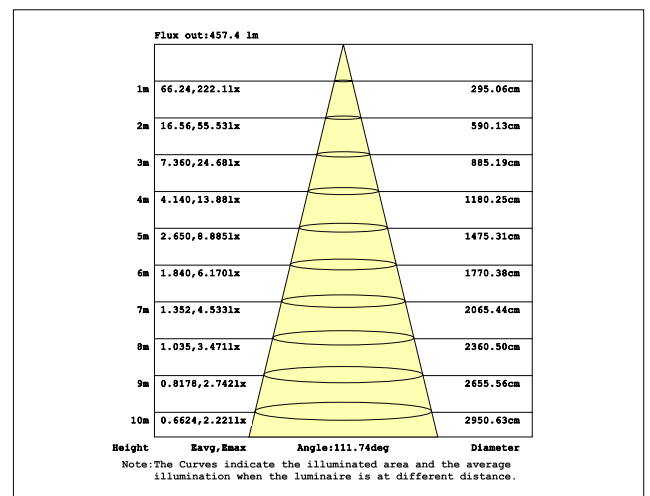
Technical Data

Model No.	Neon Recessed 1212 TV 10W/m
Dimension	12mmx12mm / 0.47inx0.47in
Voltage	DC24V
RA	>90
Dimming	Dimmable
Efficacy	57.1LM/W @4000K
Storage temperature	-25~60°C / -22~140F
Ambient Temperature	Min.25°C Max.+55°C

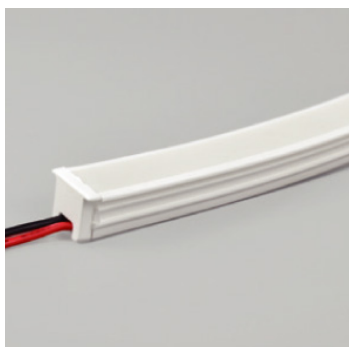
Light Distribution Curve



Illuminance Curve



Cable Lead Option

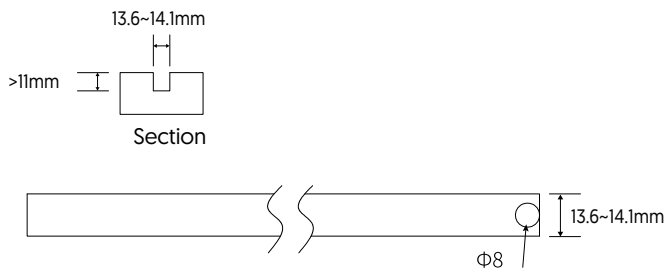


Front cable entry
(standard)

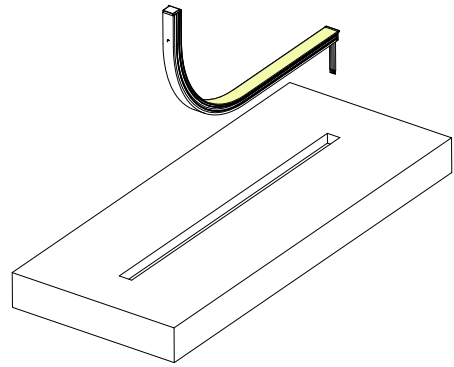


Closed end cap

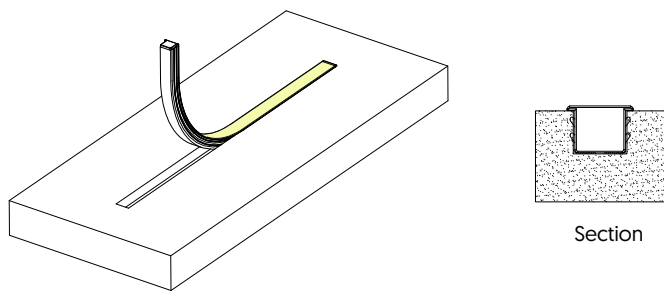
Installation Steps



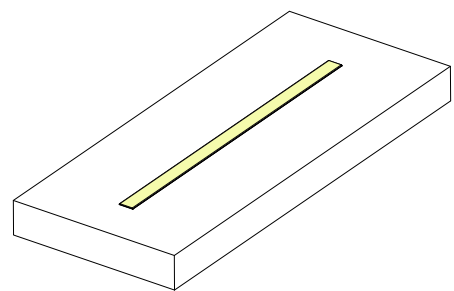
1. Make grooves and outlet holes according to the dimensions shown in the picture.



2. Pass the cable of the light through the reserved hole as shown in the figure.

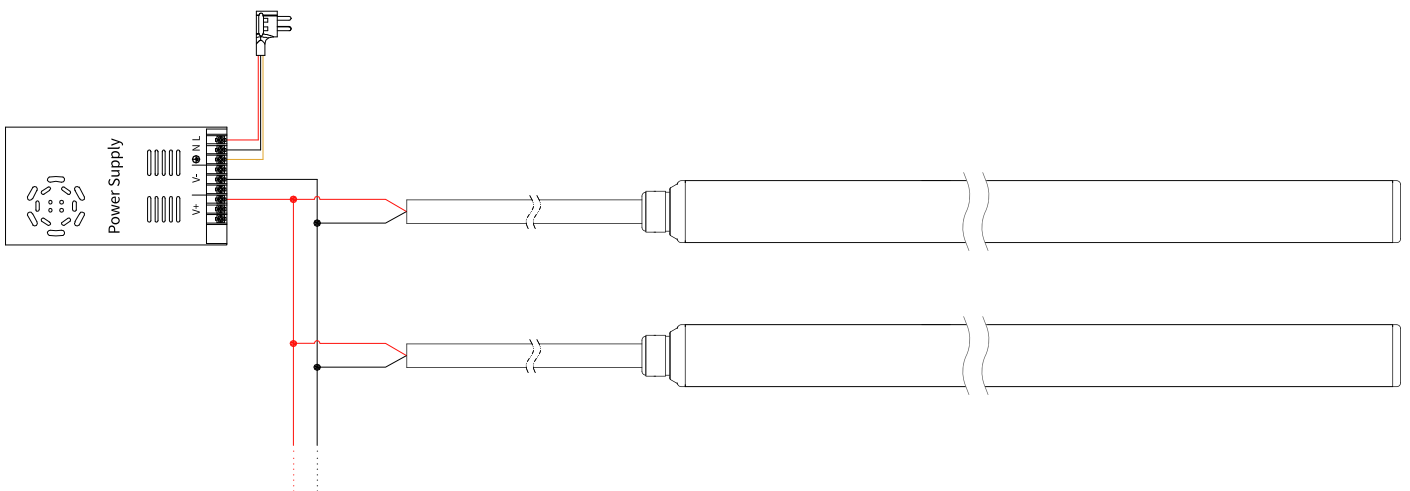


3. Align the light to the groove, press the glowing surface of the light, and fully embed the light into the groove.

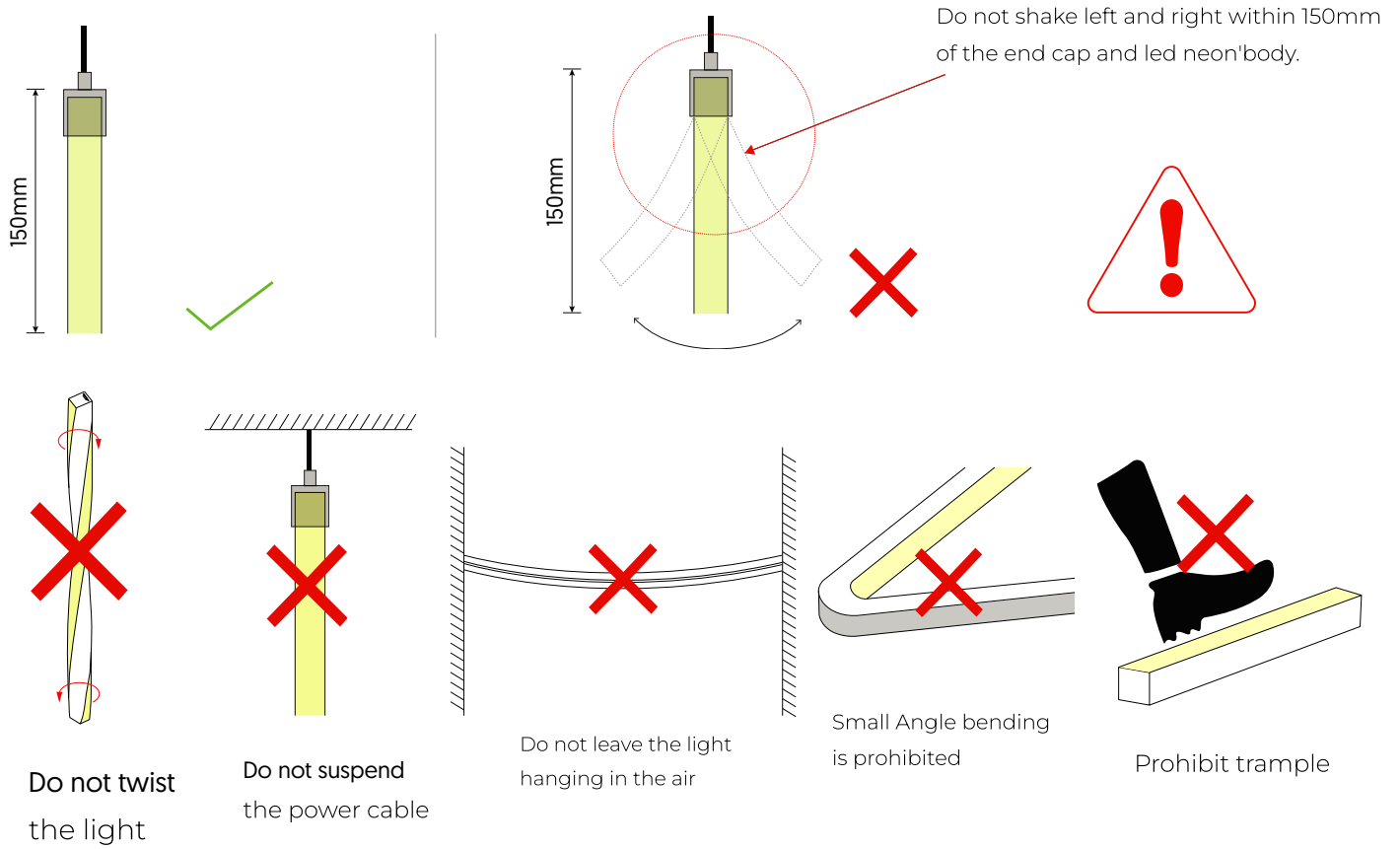


4. Completed.

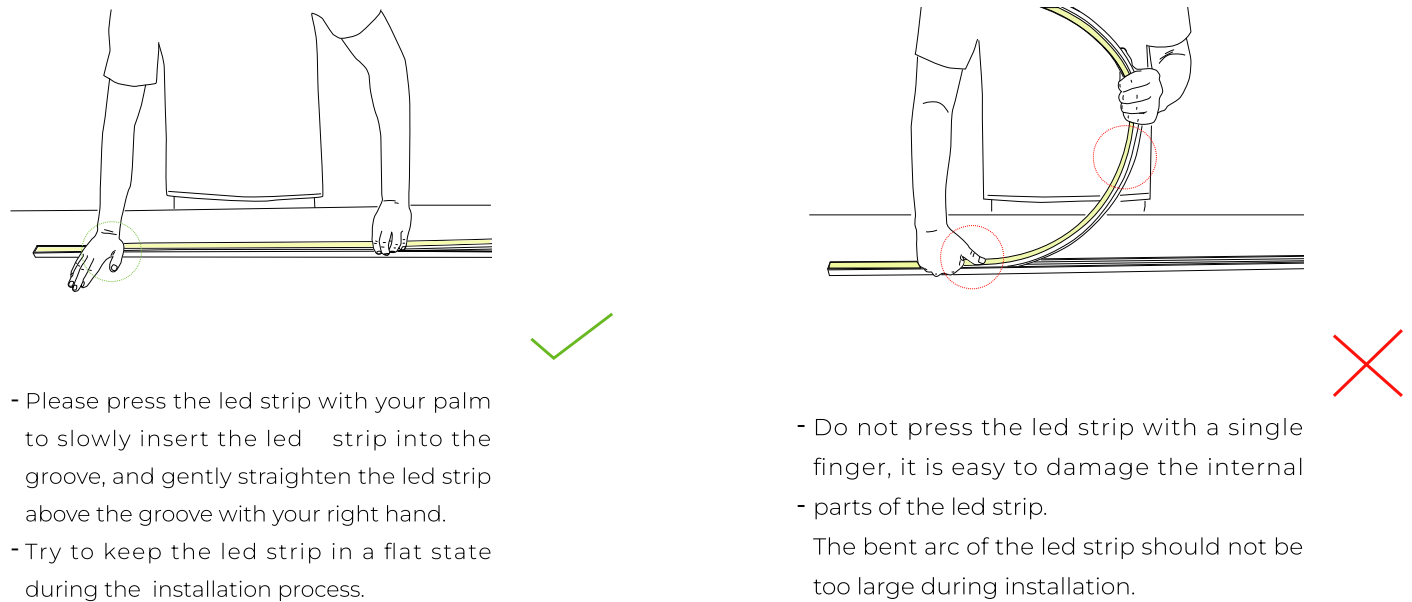
Connection diagram

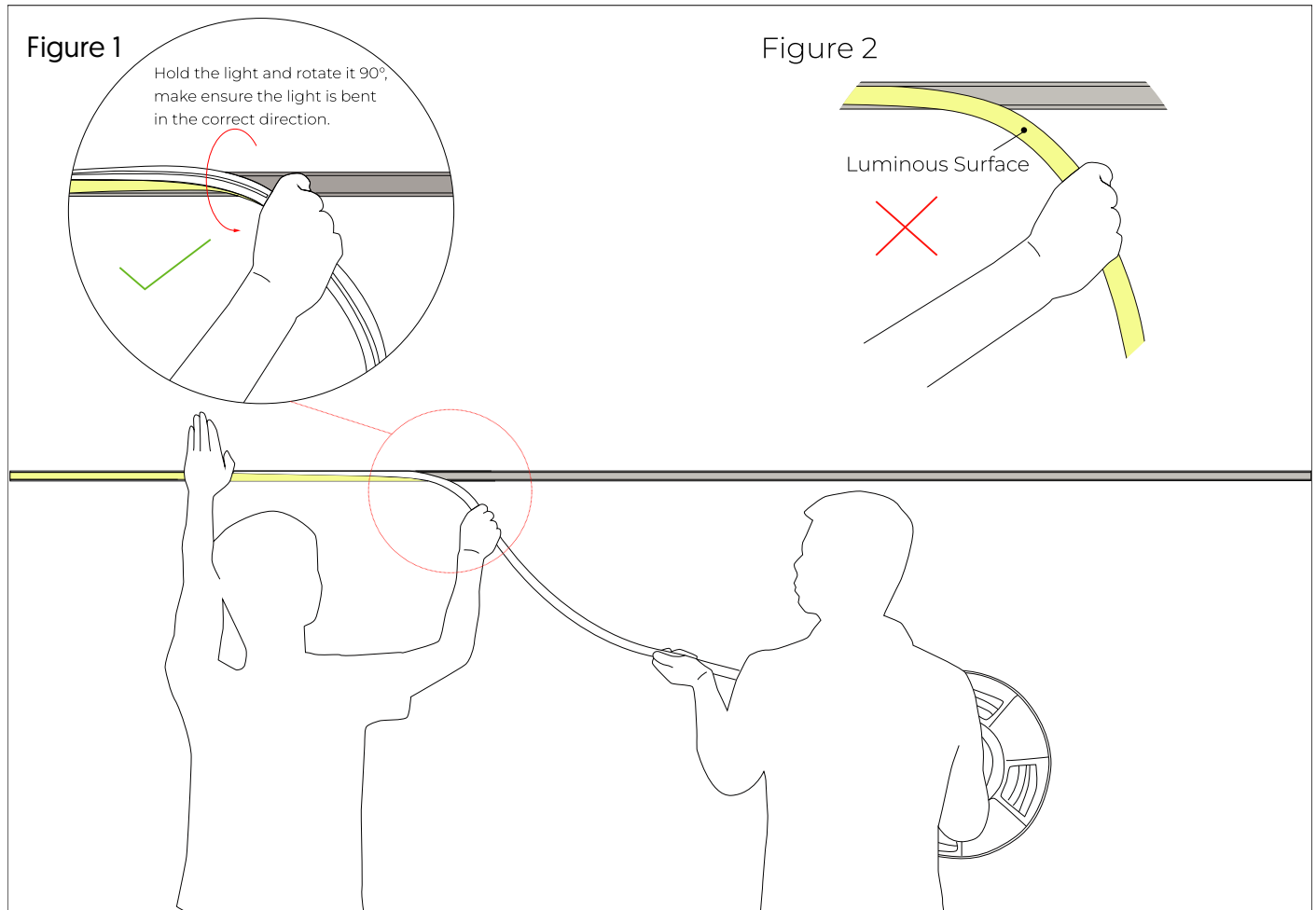


Installation Precautions



Put in the profile





1.Installer:

- Press the light with the palm of the left hand to slowly load it into the slot. Straighten the light with right hand, hold it and rotate it 90° to droop it in the direction of your hand. See Figure 1.
- Do not bend the luminous surface to the side. See Figure 2.

2.Assistant:

- Cooperate with the installer to lift the reel of the light, and then slowly deliver the light to installer. Do not pull or twist the light during the installation.