



Neon MultiFlex 1010 10W/m

Neon MultiFlex 1010 10W/m is a flexible neon LED strip designed to adapt easily to curves and complex shapes while maintaining smooth, continuous light output with no visible dots. Its versatile design makes it ideal for decorative, architectural, and creative lighting applications, delivering uniform illumination with reliable performance and efficiency.

Qualities

LED

24V
IP67
⌚ 55.000h
McAdam C2

Led Colour

2.7K
3K
4K

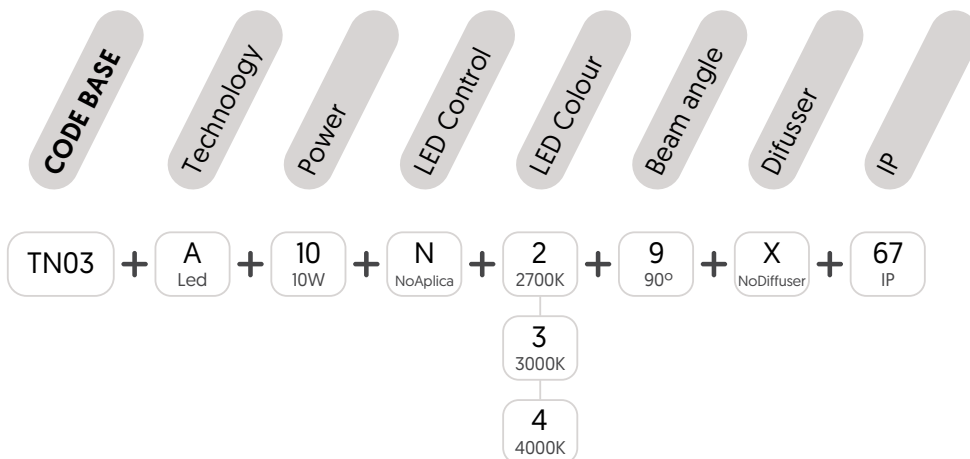
Regulation

NO DIM
DALI

Beam Angle

90°

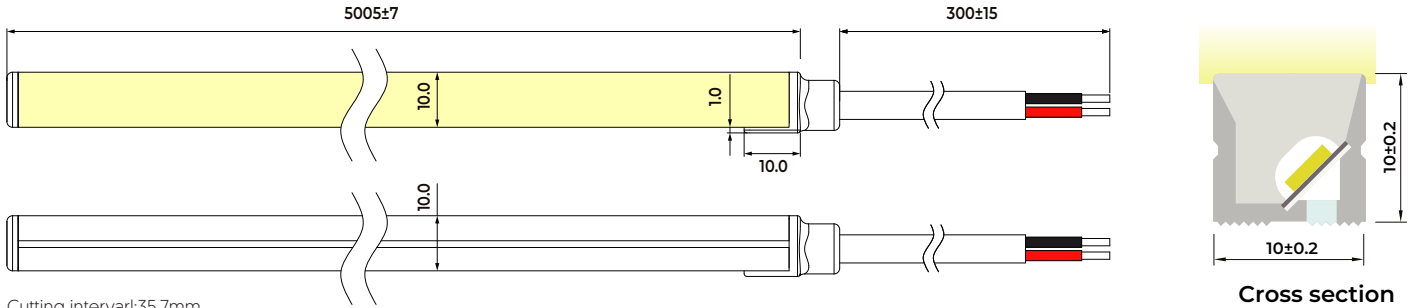
REF. CODE



PARAMETER

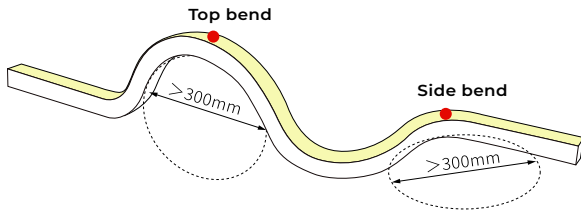
	W	V	TEMP	LUM/m	CRI
Neón MultiFlex 1010 10W/m	10W	24V	2.700K	464	>90
			3.000K	486	
			4.000K	506	

TEC. DRAWINGS



Cutting interval:35.7mm

Cross section

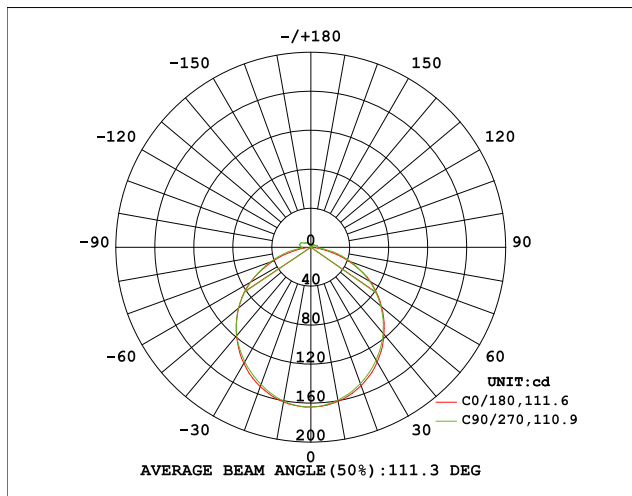


Note: Min bending diameter of Top bend>300mm,
Min bending diameter of Side bend>300mm

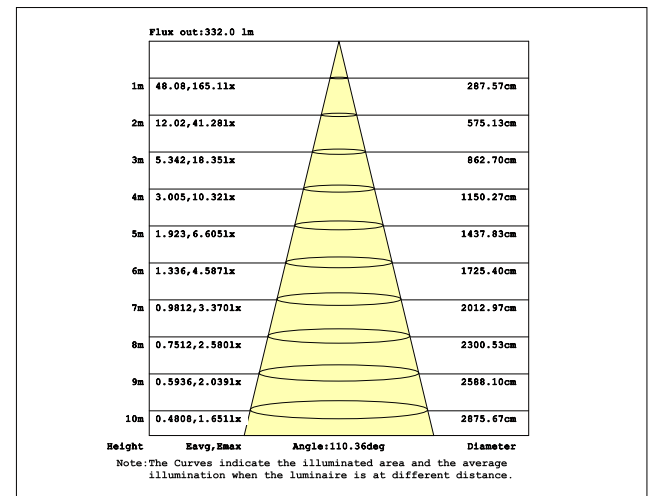
Technical Data

Model No.	Neon MultiFlex 1010 10W/m
Dimension	10mmx10mm / 0.39inx0.39in
Voltage	DC24V
RA	>90
Dimming	Dimmable
Efficacy	50.6LM/W @4000K
Storage temperature	-25~60°C / -22~140F
Ambient Temperature	Min.25°C Max.+55°C

Light Distribution Curve



Illuminance Curve



Cable Lead Option



Front cable entry (standard)

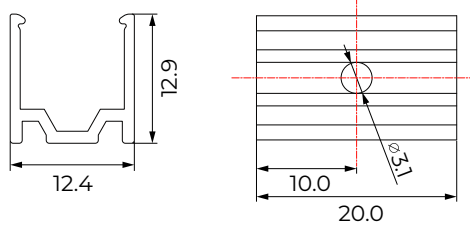
Side cable

Bottom cable

Closed end cap

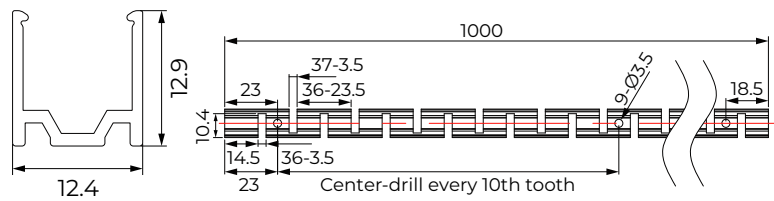
Accessories (Unit: mm)

Aluminium Mounting clips



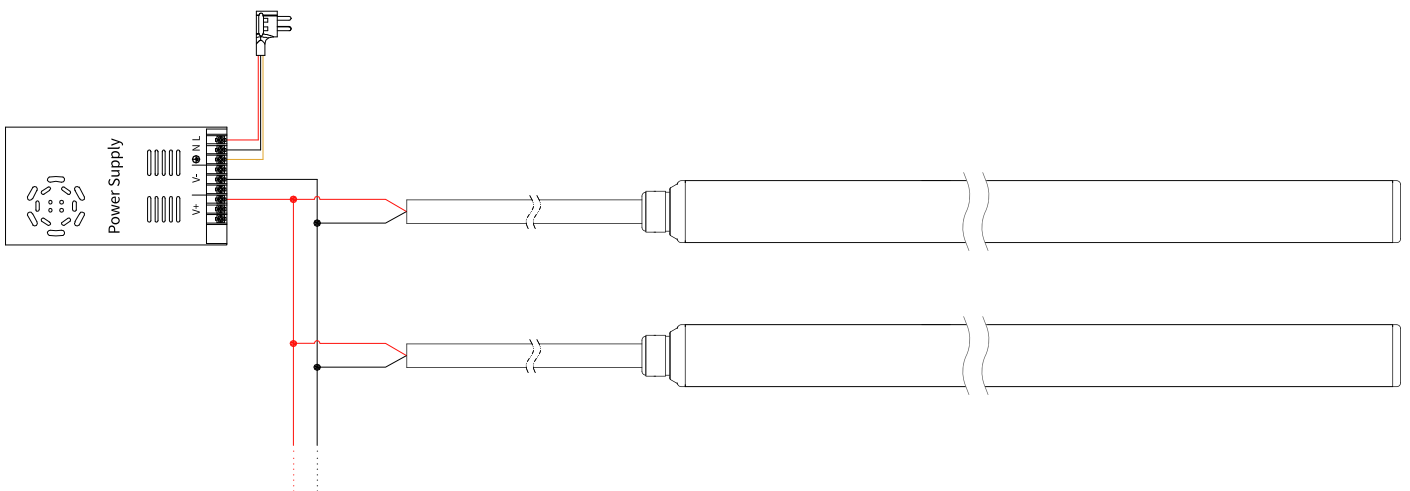
Length: 20x12.4x12.9

Aluminium Mounting clips

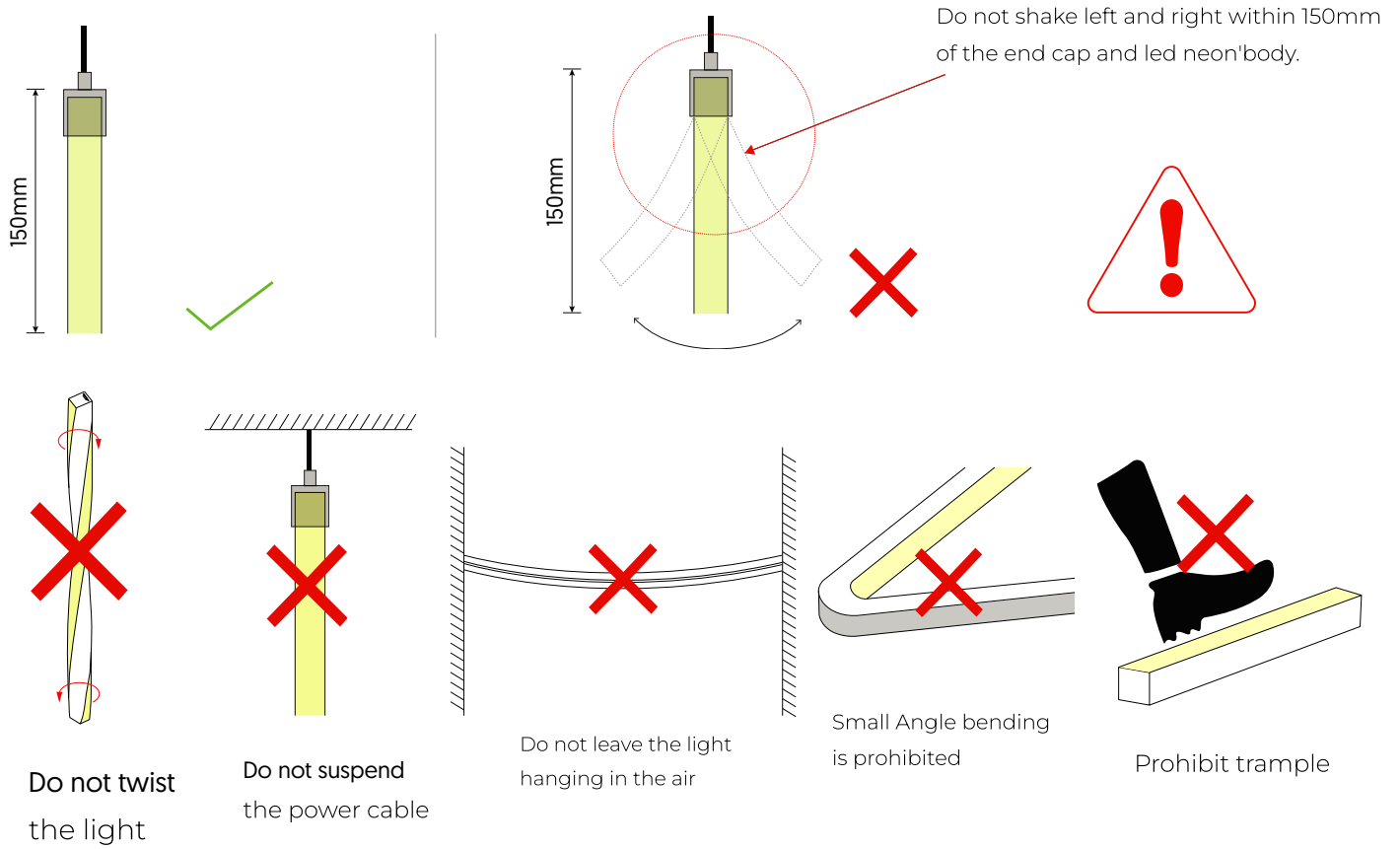


Length: 1000x12.4x12.9

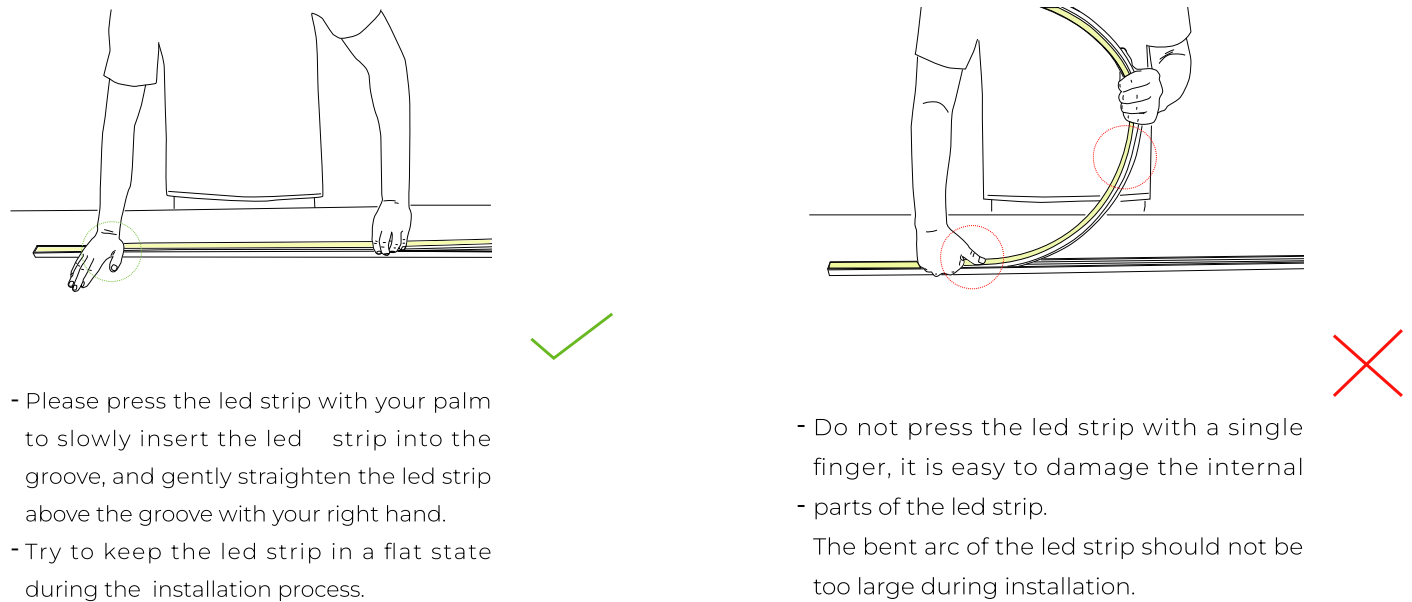
Connection diagram

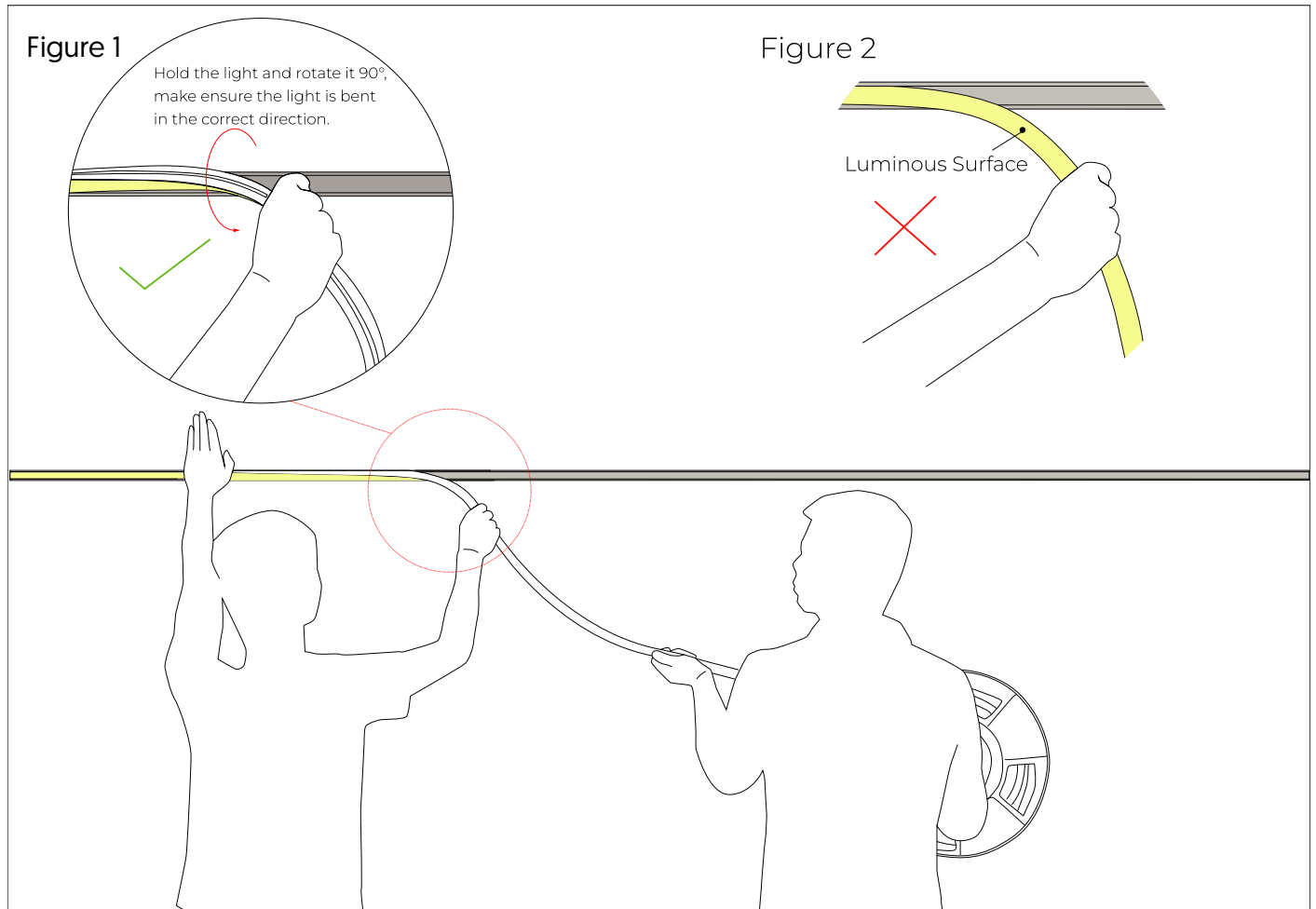


Installation Precautions



Put in the profile





1.Installer:

- Press the light with the palm of the left hand to slowly load it into the slot. Straighten the light with right hand, hold it and rotate it 90° to droop it in the direction of your hand. See Figure 1.
- Do not bend the luminous surface to the side. See Figure 2.

2.Assistant:

- Cooperate with the installer to lift the reel of the light, and then slowly deliver the light to installer. Do not pull or twist the light during the installation.