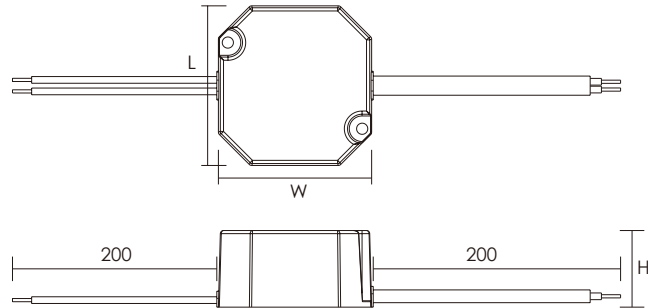
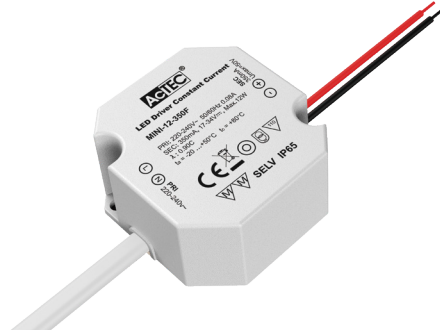


## Mini Series

# Constant Current LED Driver

### Features:

- Super compact design
- Analogue flicker-free
- Primary and secondary sides come with leads
- Protections: opencircuit, shortcircuit, overload, overtemperature
- SELV equivalent
- Protection class II
- Driver for built-in use
- Suitable for protection class I and II luminaires
- Sealed by glue inside, which can strengthen the protection for luminaires required by waterproof and moistureproof
- IP65 design



### Parameters:

Model No.	Input voltage (V)	Max. output (W)	Output current (mA)	Output voltage (V)	Power factor (λ)	Efficiency full load (%)	No-load power (W)	Ambient temp. $t_a$ (°C)	Max. case temp. $t_c$ (°C)	Isolation	Dimensions LxWxH (mm)	Weight (g)
MINI-12-350F	220-240	12	350	17-34	0.90C	84	<0.5	-20...+50	80	SELV	50x48x24	95
MINI-12-500F	220-240	12	500	12-24	0.90C	84	<0.5	-20...+50	80	SELV	50x48x24	95
MINI-12-700F	220-240	12	700	8-17	0.90C	83	<0.5	-20...+50	80	SELV	50x48x24	95



CB CE CCC IP65