



## DALI POWER SUPPLY 40



## DALI POWER SUPPLY 40

### For in-luminaire installation

The DALI Power Supply 40 unit was designed to enable space-saving installation in a luminaire and lets you determine DALI devices within luminaires.

The unit is particularly suitable for smart lighting concepts for office or industrial luminaires. The DALI Power Supply 40 can be used to implement island solutions with a maximum of flexibility.

The DALI Power Supply 40 also serves as a power supply for existing DALI applications in order to make them Blu2Light-capable.



### DALI Power Supply 40 Functions

- 128 mA DALI BUS POWER SUPPLY UNIT
- COMPACT SMART CASING FOR BUILT-IN INTO LUMINAIRES
- OPERATING LIFETIME: 50,000 HRS.
- PRODUCT GUARANTEE: 5 YEARS

## DALI Power Supply 40

### For in-luminaire installation

These light control devices are designed for operation inside a luminaire.

### Technical Specifications

- Push-in terminals with a lever opening: 0.5–1.5 mm<sup>2</sup>
- Degree of protection: IP40
- For luminaires of protection classes I and II
- Ambient temperature  $t_a$ : -20 to 55 °C
- Service life: 50,000 h
- DALI devices are connected directly to the DALI bus.
- The number of control gear units (DALI devices): depends on the power consumption of the connected devices.

### Connections

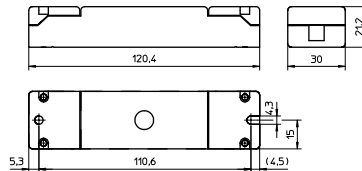
- Mains connection: 110–240 V AC, 50–60 Hz
- Max. power consumption: 4 W
- 1 DALI bus on 3 pairs of terminals:  
guaranteed current on the DALI bus = 128 mA  
(for the current consumption of individual components, please see the respective datasheet)
- The standard version of the DALI bus is not SELV-compliant. As a result, the DALI cable must be mains-voltage-proof.
- The DALI bus is fitted with electronic reversible overload and short-circuit protection.

### Product guarantee

- 2 years
- The conditions for the Product Guarantee of the Vossloh-Schwabe Group shall apply as published on our homepage ([www.vossloh-schwabe.com](http://www.vossloh-schwabe.com)). We will be happy to send you these conditions upon request.



**DALI Power Supply 40**  
Dimensions: (LxVxH): 120x30x22 mm  
Weight: 57 g  
**Ref. No.: 187223**



## General Safety Instructions

- LiCS and Blu2Light products may be installed and commissioned only by authorised and suitably trained staff.
- Prior to installation and commissioning, please read these instructions with care to ensure safe and correct handling.
- Only ever conduct any work on the devices in a voltage-free state.
- All valid safety and accident prevention directives must be observed.
- Unauthorised opening of the products is not permitted since this poses a danger to life through electrical shock. Repairs may be carried out only by the manufacturer.
- Never apply mains voltage or any other external voltage to the DALI control line as this can destroy individual components.

## Installation

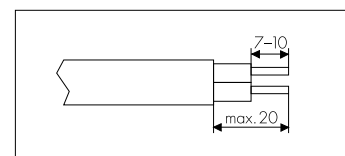
- Install any way up.
- Only install in dry rooms or luminaires, boxes, casings or similar.  
If the DALI Power Supply 40 unit is destined for use in outdoor applications or high humidity rooms, casings with a corresponding degree of protection must be used.
- Attach with the help of 3 mm or 4 mm screws.
- Ensure a flat, solid surface for installation.

## Application/Function

- Suitable for luminaire and ceiling installation.
- Power supply unit (128 mA) for DALI bus systems.

## Installation Instructions

- Conductor cross-section for all terminals: 0.5–1.5 mm<sup>2</sup>
- Cable preparation (see right)
- The standard version of the DALI bus features only basic insulation.  
All DALI cables must therefore be mains-voltage-proof.
- The maximum permissible length of the DALI bus must not be exceeded during installation: the maximum length of the DALI bus totals 300 m, with a conductor cross-section of 1.5 mm<sup>2</sup>.
- Depending on the number of connected DALI devices, the maximum permissible length of 300 m can be substantially reduced.  
See datasheet for DALI devices.
- Laying the DALI bus line alongside the power supply line in a single cable is permissible up to a maximum of 100 m, with NYM 5 x 1.5 mm<sup>2</sup>.

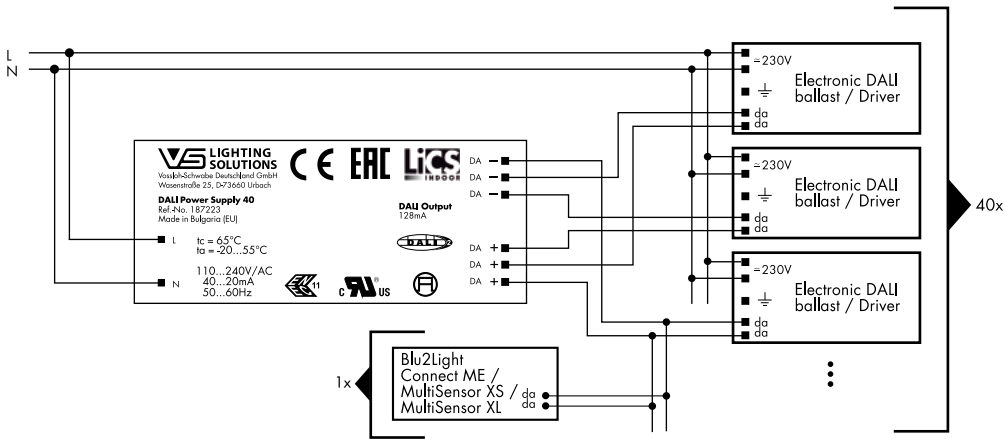


## Additional Notes

- The voltage drop on the DALI line must not exceed 2 V.
- Polarity must be observed.

The values specified in this datasheet can change due to technical innovations; any such changes will be made without separate notification.

## Circuit Diagram of the DALI Power Supply 40



## Technical Specifications of the DALI Power Supply 40

DALI Power Supply 40	
Ref. No.:	187223
Supply voltage	110–240 V AC, 50–60 Hz
Power consumption	4 W
Ambient temperature $t_a$	-20 to 55 °C
DALI output (da+-)	128 mA
Degree of protection	IP40
Luminaire protection class	I and II
Weight	57 g
CE requirement	Immunity to electromagnetic interference (EMC) in acc. with EN 61547, Safety in acc. with EN 61347-2-11

The values specified in this datasheet can change due to technical innovations; any such changes will be made without separate notification.