



Constant Current Driver

Model : CC1WYYYCGA1
 CC3WYYYCGA1
 CC6WYYYCGA1
 CC9WYYYCGA1
 CC12WYYYCGA1



Model	Output Current (230V Full Load)	Input Current (230V Full Load)	Input Power (230V Full Load)	Output Power Range	PF (Full Load)	Efficiency (Full Load)	Output Voltage	No load Voltage
CC1W300CGA1	300mA	0.06A	5W	0.6-1.2W	0.45	55%	2-4V	20V
CC1W350CGA1	350mA	0.06A	5W	0.7-1.4W	0.45	55%	2-4V	20V
CC3W200CGA1	200mA	0.06A	7W	1.6-3W	0.45	68%	8-15V	30V
CC3W250CGA1	250mA	0.06A	7W	2-3W	0.45	68%	8-12V	30V
CC3W300CGA1	300mA	0.06A	7W	1.5-3W	0.45	68%	5-10V	25V
CC3W350CGA1	350mA	0.06A	7W	1.75-3.15W	0.45	68%	5-9V	25V
CC3W500CGA1	500mA	0.06A	7W	1.5-3.5W	0.45	68%	3-7V	25V
CC3W700CGA1	700mA	0.06A	7W	1.4-2.8W	0.45	65%	2-4V	20V
CC6W200CGA1	200mA	0.11A	10W	3-6W	0.5	74%	15-30V	50V
CC6W250CGA1	250mA	0.11A	10W	3-6W	0.5	74%	12-24V	50V
CC6W300CGA1	300mA	0.11A	10W	3-6W	0.5	74%	10-20V	35V
CC6W350CGA1	350mA	0.11A	10W	2.8-6.3W	0.5	74%	8-18V	35V
CC6W500CGA1	500mA	0.11A	10W	3-6W	0.5	74%	6-12V	30V
CC6W700CGA1	700mA	0.11A	10W	3.5-6.3W	0.5	71%	5-9V	30V
CC9W150CGA1	150mA	0.14A	13W	4.5-8.25W	0.5	80%	30-55V	70V
CC9W200CGA1	200mA	0.14A	13W	5-9W	0.5	80%	25-45V	60V
CC9W250CGA1	250mA	0.14A	13W	5-9W	0.5	80%	20-36V	50V
CC9W300CGA1	300mA	0.14A	13W	4.5-9W	0.5	80%	15-30V	45V
CC9W350CGA1	350mA	0.14A	13W	5.25-8.75W	0.5	80%	15-25V	40V
CC9W500CGA1	500mA	0.14A	13W	4.5-9W	0.5	80%	9-18V	30V
CC9W700CGA1	700mA	0.14A	13W	5.6-8.4W	0.5	78%	8-12V	25V
CC12W200CGA1	200mA	0.16A	16W	7-12W	0.5	80%	35-60V	75V
CC12W250CGA1	250mA	0.16A	16W	7.5-12W	0.5	80%	30-48V	63V

CC12W300CGA1	300mA	0.16A	16W	7.5-12W	0.5	80%	25-40V	55V
CC12W350CGA1	350mA	0.16A	16W	7-11.9W	0.5	80%	20-34V	50V
CC12W500CGA1	500mA	0.16A	16W	6-12W	0.5	80%	12-24V	40V
CC12W550CGA1	550mA	0.16A	16W	6.6-11.55W	0.5	80%	12-21V	35V
CC12W600CGA1	600mA	0.16A	16W	7.2-10.8W	0.5	78%	12-18V	35V
CC11W700CGA1	700mA	0.16A	16W	6.3-11.2W	0.5	78%	9-16V	30V

1. Parameters

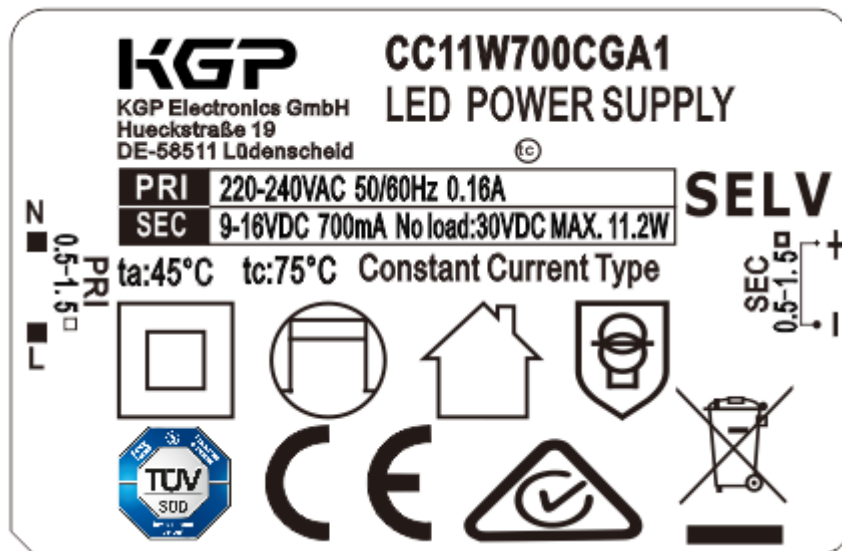
category	Item	Technical Norm
Features	Output Type	Constant Current
	IP Grade	IP20
	Insulation Class	Class II
Input	Rated Input Voltage	220-240VAC
	Range of Input Voltage	180-264VAC
	Frequency	50/60Hz
	Input Current	≤0.16A (180VAC, full load)
	Input Power	≤ 16W (230VAC, full load)
	Power Factor	≥0.45 (230VAC, full load)
	No-load Power Consumption	≤0.5W @230VAC
	Inrush Current	≤30A/150us (230VAC, Full-load)
	Connected quantity of 16A Breaker	16pcs/type B ; 27pcs/type C @ 230Vac
Output	Current Accuracy	±5%
	Max. Output Power	12W
	Started Delay Time	≤0.5S (230VAC, full load)
	Current Ripple	±7% (Ip-p)
Protection	Short Circuit Protection	Auto Recovery
	Overload Protection	Auto Recovery
	No-load Protection	Auto Recovery
	Insulation voltage	I/P to O/P , 3KVac/1min
	Insulation resistance	>100M ohm @ 500VDC
	Leakage current	I/P to O/P < 250 μ A
Environment	Ta/Operation Temperature	1W,3W,6W series: -20...+50°C 9W,12W series: -20...+45°C
	Ts/Storage Temperature	1W,3W,6W series: -25...+85°C 9W,12W series: -25...+75°C
	Tc/Enclosure Temperature	1W,3W,6W series: 85 °C 9W,12W series: 75 °C
	Humidity	10%...90%RH
	Atmosphere	86-108KPa

Construction	Connection Method	Push-in Terminal
	Installation	Independent
	PRI Wire preparation	0.5-1.5 [□]
	SEC Wire preparation	0.5-1.5 [□]
	Dimension	86X32X23mm (L*W*H)
Standards	Certification	TUV、SAA、CE
	Safety Standards	EN61347-1:2015,EN61347-2-13:2014/A1:2017, EN62493:2015, AS/NZS IEC61347.2.13:2013, AS/NZS 61347.1:2016
	EMC Standards	EN55015:2013/A1:2015,EN61000-3-2:2014,EN 61000-3-3:2013,EN61547:2009
	Performance	EN62384
	Surge	L-N/1KV (L/N)-PE/2KV
Others	RoHS	complied to 2011/65/EU
	Life Time	50,000h @45°C/50°C
	Warranty	5years , F.R. < 1000ppm

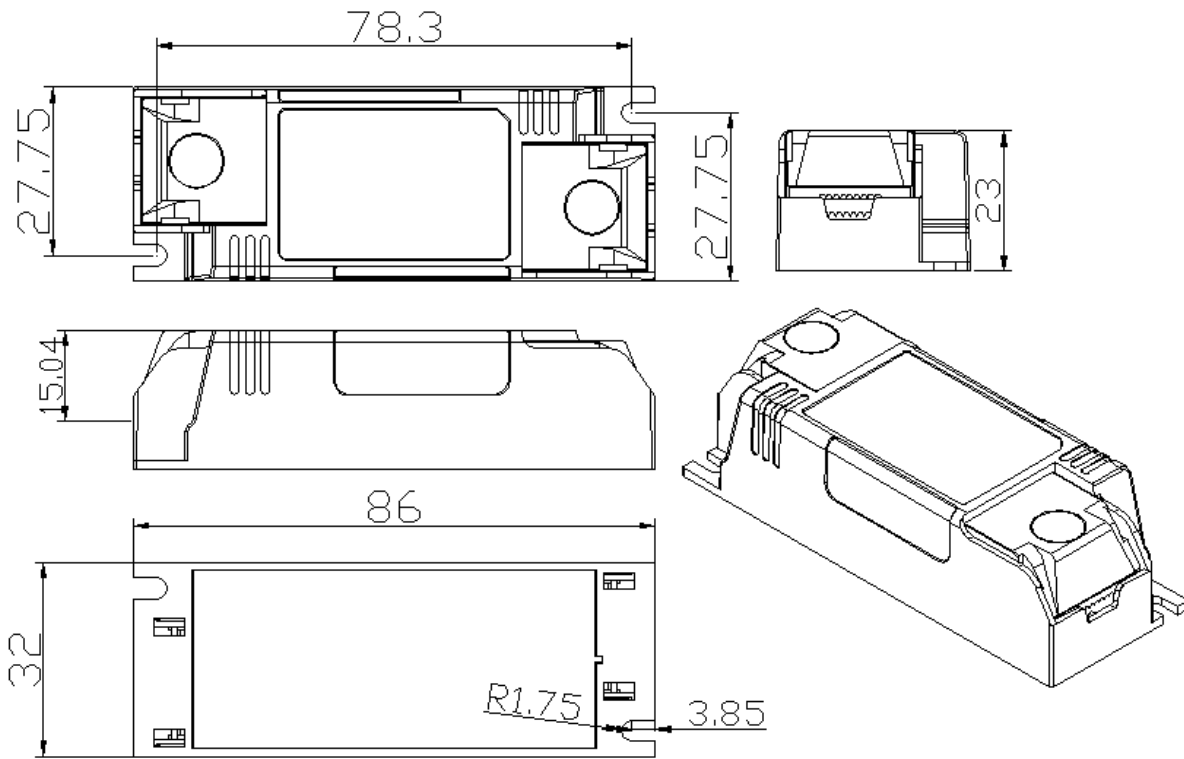
Remark

1. All Parameters, if not specified, are measured at 230VAC/50Hz and 25°C ambient temperature.
2. LED Driver is a component of the luminaires ,Luminaires and wire layout will affect the EMC, please check the EMC with end products again.

2. Label (For example)



3. Dimension (Unit: mm)



4. Packing information

Carton L*W*H(mm)	Pcs/Carton	Net weight/ Pcs(kg)	Net weight/ Carton(kg)	Gross weight / Carton(kg)
447*240*200	210	0.038	7.98	8.78

5. Wiring Diagram

