



Constant Current Driver

Model: RC12WYYY
RC15WYYY
RC20WYYY



Model	Output Current	Input Current	Input Power	Output Power Range	PF	Efficiency	Output Voltage	No load Voltage
RC12W300	300mA	0.08A	16W	8.1-12.6W	0.9	84%	27-42V	55V
RC15W300	300mA	0.1A	19W	10.8-15W	0.9	84%	36-50V	65V
RC15W350	350mA	0.1A	19W	10.5-14.7W	0.9	84%	30-42V	55V
RC15W400	400mA	0.1A	20W	10.8-16W	0.9	84%	27-40V	55V
RC15W450	450mA	0.1A	17W	8.55-13.5W	0.9	84%	19-30V	45V
RC15W500	500mA	0.1A	19W	9.5-15W	0.9	84%	19-30V	45V
RC15W550	550mA	0.1A	20W	10.45-15.95W	0.9	84%	19-29V	45V
RC15W600	600mA	0.1A	16W	7.8-12.6W	0.9	84%	13-21V	35V
RC15W650	650mA	0.1A	17W	8.45-13.65W	0.9	84%	13-21V	35V
RC15W700	700mA	0.1A	18W	9.1-14.7W	0.9	84%	13-21V	35V
RC20W350	350mA	0.12A	22W	12.6-17.5W	0.92	85%	36-50V	65V
RC20W400	400mA	0.12A	25W	14.4-20W	0.92	85%	36-50V	65V
RC20W450	450mA	0.12A	23W	12.15-18.9W	0.92	85%	27-42V	55V
RC20W500	500mA	0.12A	25W	13.5-20W	0.92	85%	27-40V	55V
RC20W650	650mA	0.12A	24W	12.35-19.5W	0.92	85%	19-30V	45V
RC20W700	700mA	0.12A	24W	13.3-19.6W	0.92	85%	19-28V	40V
RC20W800	800mA	0.12A	21W	10.4-16.8W	0.92	85%	13-21V	35V
RC20W850	850mA	0.12A	22W	11.05-17.85W	0.92	85%	13-21V	35V
RC20W900	900mA	0.12A	24W	11.7-18.9W	0.92	85%	13-21V	35V

* Test result @230V, 50Hz, Full Load.

1. Parameters

category	Item	Technical Norm
Features	Output Type	Constant Current
	IP Grade	IP44
	Insulation Class	Class II
Input	Rated Input Voltage	220-240VAC
	Range of Input Voltage	198-264VAC

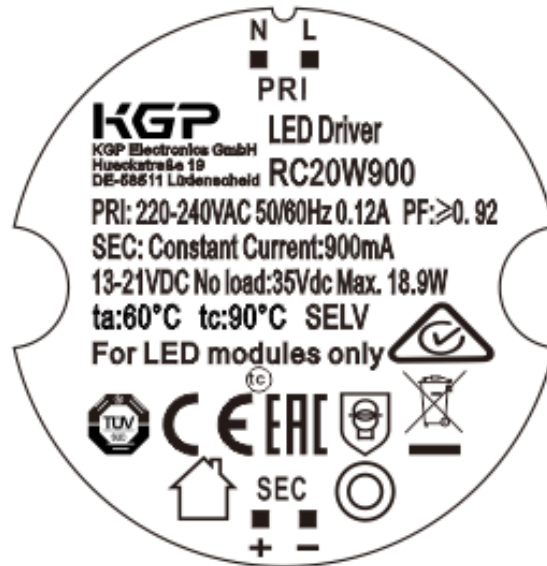
	Frequency	50/60Hz
	Input Current	≤0.12A (198VAC, full load)
	Input Power	≤ 24.5W (230VAC, full load)
	Power Factor	≥0.92 (230VAC, full load)
	THD	≤15% (230VAC, full load)
	No-load Power Consumption	≤0.5W @230VAC
	Inrush Current	≤15A/350us (230VAC, Full-load)
	Connected quantity of 16A Breaker	15pcs/type B ; 24pcs/type C @ 230Vac
Output	Current Accuracy	±5%
	Max. Output Power	20W
	Started Delay Time	≤0.5S (230VAC, full load)
	Current Ripple	±5% (Imax-Imin) / (Imax+Imin)
Protection	Short Circuit Protection	Auto Recovery
	Overload Protection	Auto Recovery
	No-load Protection	Auto Recovery
	Insulation voltage	I/P to O/P , 3KVac/1min
	Insulation resistance	>100M ohm @ 500VDC
	Leakage current	I/P to O/P < 250 μ A
Environment	Ta/Operation Temperature	-20....+60℃
	Ts/Storage Temperature	-25....+85℃
	Tc/Enclosure Temperature	90 ℃
	Humidity	10%....90%RH
	Atmosphere	86-108KPa
Construction	Connection Method	Direct Lead
	Installation	Build-in
	PRI Wire preparation	0.5-1.5□
	SEC Wire preparation	0.5-1.5□
	Dimension	Φ50X21mm (R*H)
Standards	Certification	TUV、CE、SAA
	Safety Standards	EN61347-1:2015,EN61347-2-13:2014/A1:2017,E N62493:2015, AS/NZS IEC61347.2.13:2013, AS/NZS 61347.1:2016
	EMC Standards	EN55015:2013/A1:2015,EN61000-3-2:2014,EN61 000-3-3:2013,EN61547:2009
	Performance	EN62384
	Surge	L-N/2KV
Others	RoHS	complied to 2011/65/EU
	Life Time	50,000h @50℃ (Ta) / @90℃ (Tc)
	Warranty	5years , F.R. < 10000ppm

Remark

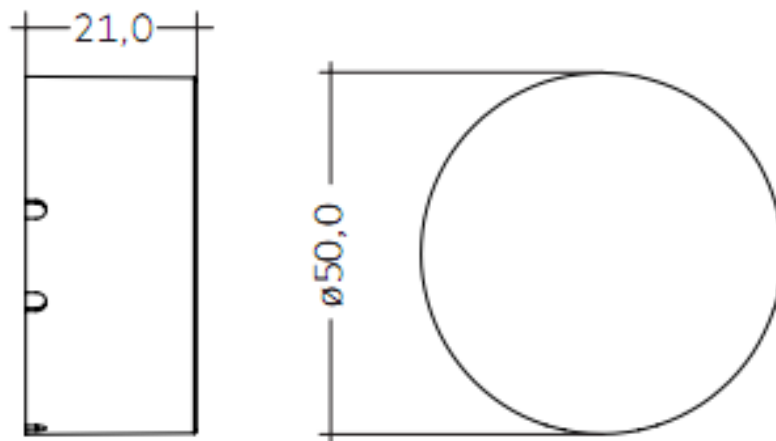
1. All Parameters, if not specified, are measured at 230VAC/50Hz and 25℃ ambient temperature.

2. LED Driver is a component of the luminaires, Luminaires and wire layout will affect the EMC, please check the EMC with end products again.

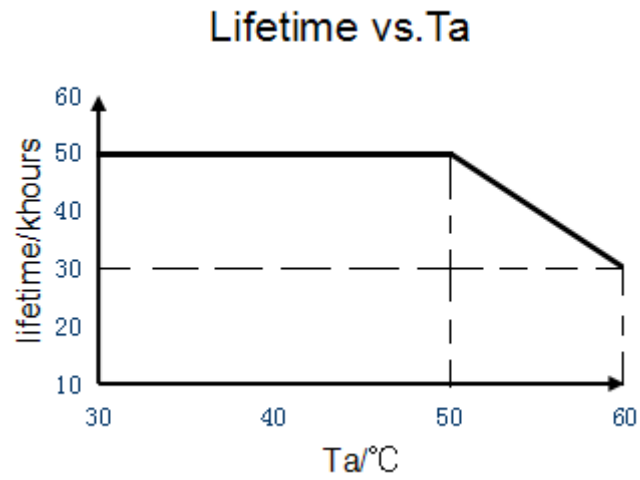
2. Label (For example)



3. Dimension (Unit: mm)



4. Lifetime VS. Ta



5. Packing information

Carton L*W*H(mm)	Pcs/Carton	Net weight/ Pcs(kg)	Net weight/ Carton(kg)	Gross weight / Carton(kg)
450*240*200	250	0.078	19.5	20.25

6. Wiring Diagram

