

Constant Current Driver

Model : SC30W200-700CG-4W
 SC30W200-700CG-4B
 SC30W200-700CG-4G



Model	Output Current	Input Current	Input Power	Output Power Range	PF	Efficiency	Output Voltage	No load Voltage
SC30W200-700CG-4W SC30W200-700CG-4B SC30W200-700CG-4G	200mA	0.10A	9.88W	2.00-8.40W	0.75	85%	10-42V	59V
	250mA	0.11A	12.21W	2.50-10.50W	0.78	86%	10-42V	59V
	300mA	0.12A	14.48W	3.00-12.60W	0.82	87%	10-42V	59V
	350mA	0.13A	16.90W	3.50-14.70W	0.83	87%	10-42V	59V
	400mA	0.14A	19.10W	4.00-16.80W	0.85	88%	10-42V	59V
	450mA	0.15A	21.47W	4.50-18.90W	0.87	88%	10-42V	59V
	500mA	0.16A	23.86W	5.00-21.00W	0.9	88%	10-42V	59V
	550mA	0.17A	26.25W	5.50-23.10W	0.92	88%	10-42V	59V
	600mA	0.18A	28.64W	6.00-25.20W	0.95	89%	10-42V	59V
	650mA	0.19A	31.02W	6.50-27.30W	0.95	89%	10-42V	59V
700mA	0.20A	33.41W	7.00-29.40W	0.95	89%	10-42V	59V	

* Test result @230V, 50Hz, Full Load.

1. Parameters

Category	Item	Technical Norm
Features	Output Type	Constant Current
	Output Features	Isolation
	IP Grade	IP20
	Insulation Class	Class II
Input	Rated Input Voltage	220-240VAC
	Range of Input Voltage	176-264VAC or 176-280VDC
	Frequency	50/60Hz
	Input Current	≤0.20A (230VAC, full load)
	Input Power	≤33.1W (230VAC, full load)
	Power Factor	≥0.95 (230VAC, full load)
	THD	≤20% (230VAC, full load)
	No-load Power Consumption	≤0.5W @230VAC
Output	No Load Voltage	59VDC Max.
	Output Current	200mA -700mA (Max. output)
	Max. Output Power	29.4W

	Efficiency	≥88%(230VAC, full load)
	Current Ripple	±5% $(I_{max}-I_{min})/(I_{max}+I_{min})$
	Current Accuracy	±5%
	Started Delay Time	≤0.5S(230VAC, full load)
	PstLM	≤1
	SVM	≤0.4
Protection	Short Circuit Protection	Auto Recovery
	Overload Protection	Auto Recovery
	No-load Protection	Auto Recovery
	Insulation voltage	3000V 5mA 60S between P-S
	Insulation resistance	>100M ohm @ 500VDC
	Leakage current	< 250μA, I/P to O/P or I/P to PE @230V input
Environment	Ta/Operation Temperature	-20....+35°C
	Ts/Storage Temperature	-40....+85°C
	Tc/Enclosure Temperature	65°C
	Humidity	10%....90%RH
	Atmospheric pressure	86-108KPa
Construction	Connection Method	Push-in Terminal
	Installation	Independent
	SEC Wire preparation	0.5-1.5 [□]
	Dimension	158 x 31 x 45mm (L*W*H)
Standards	Certification	ENEC/CE/ SAA /UKCA/AEC
	Safety Standards	EN61347-1:2015,EN61347-2-13:2014/A1:2017, EN62384:2006/A1:2009,AS61347.2.13:2018, AS/NZS 61347.1:2016 Inc A1
	EMC Standards	EN IEC 55015:2019,EN IEC 55015:2019/A11:2019, EN IEC 61000-3-2:2019, EN 61000-3-3:2013/A1:2019 EN61547:2009
	Performance	EN62384
	Surge	L-N/2KV
Others	RoHS	complied to 2011/65/EU
	Life Time	50000h @Ta/ Tc
	Warranty	5years , F.R. < 10000ppm
Remark: 1.All Parameters, if not specified, are measured at 230VAC/50Hz and 25°C ambient temperature. 2.LED Driver is a component of the luminaires, Luminaires and wire layout will affect the EMC, please check the EMC with end products again.		

2. Label

KGP LED Driver **SC30W200-700CG-4W**
 For LED modules only
 Constant Current Lighting track adaptors

PRI:220-240VAC 50/60Hz Max.0.2A
 SEC:200-700mA 10-42VDC
 NO Load:59VDC Max.29.4W
 ta:35°C tc:75°C Fmax.50N ↓

•tc **SELV**

UK CA

0.5-1.5 8mm 1 2 3 4 OFF

Pout [W]	Iout [A]	Iv [A]	λ	1	2	3	4
8.4	200	0.10	0.75C	-	-	-	-
10.5	250	0.11	0.78C	-	-	-	ON
12.6	300	0.12	0.82C	-	-	ON	-
14.7	350	0.13	0.83C	-	-	ON	ON
16.8	400	0.14	0.85C	-	ON	-	-
18.9	450	0.15	0.87C	-	ON	-	ON
21	500	0.16	0.90C	-	ON	ON	-
23.1	550	0.17	0.92C	-	ON	ON	ON
25.2	600	0.18	-	ON	-	-	-
27.3	650	0.19	0.95	ON	-	-	ON
29.4	700	0.20	-	ON	-	ON	-

KGP LED Driver **SC30W200-700CG-4B**
 For LED modules only
 Constant Current Lighting track adaptors

PRI:220-240VAC 50/60Hz Max.0.2A
 SEC:200-700mA 10-42VDC
 NO Load:59VDC Max.29.4W
 ta:35°C tc:75°C Fmax.50N ↓

•tc **SELV**

UK CA

0.5-1.5 8mm 1 2 3 4 OFF

Pout [W]	Iout [A]	Iv [A]	λ	1	2	3	4
8.4	200	0.10	0.75C	-	-	-	-
10.5	250	0.11	0.78C	-	-	-	ON
12.6	300	0.12	0.82C	-	-	ON	-
14.7	350	0.13	0.83C	-	-	ON	ON
16.8	400	0.14	0.85C	-	ON	-	-
18.9	450	0.15	0.87C	-	ON	-	ON
21	500	0.16	0.90C	-	ON	ON	-
23.1	550	0.17	0.92C	-	ON	ON	ON
25.2	600	0.18	-	ON	-	-	-
27.3	650	0.19	0.95	ON	-	-	ON
29.4	700	0.20	-	ON	-	ON	-

KGP LED Driver **SC30W200-700CG-4G**
 For LED modules only
 Constant Current Lighting track adaptors

PRI:220-240VAC 50/60Hz Max.0.2A
 SEC:200-700mA 10-42VDC
 NO Load:59VDC Max.29.4W
 ta:35°C tc:75°C Fmax.50N ↓

•tc **SELV**

UK CA

0.5-1.5 8mm 1 2 3 4 OFF

Pout [W]	Iout [A]	Iv [A]	λ	1	2	3	4
8.4	200	0.10	0.75C	-	-	-	-
10.5	250	0.11	0.78C	-	-	-	ON
12.6	300	0.12	0.82C	-	-	ON	-
14.7	350	0.13	0.83C	-	-	ON	ON
16.8	400	0.14	0.85C	-	ON	-	-
18.9	450	0.15	0.87C	-	ON	-	ON
21	500	0.16	0.90C	-	ON	ON	-
23.1	550	0.17	0.92C	-	ON	ON	ON
25.2	600	0.18	-	ON	-	-	-
27.3	650	0.19	0.95	ON	-	-	ON
29.4	700	0.20	-	ON	-	ON	-

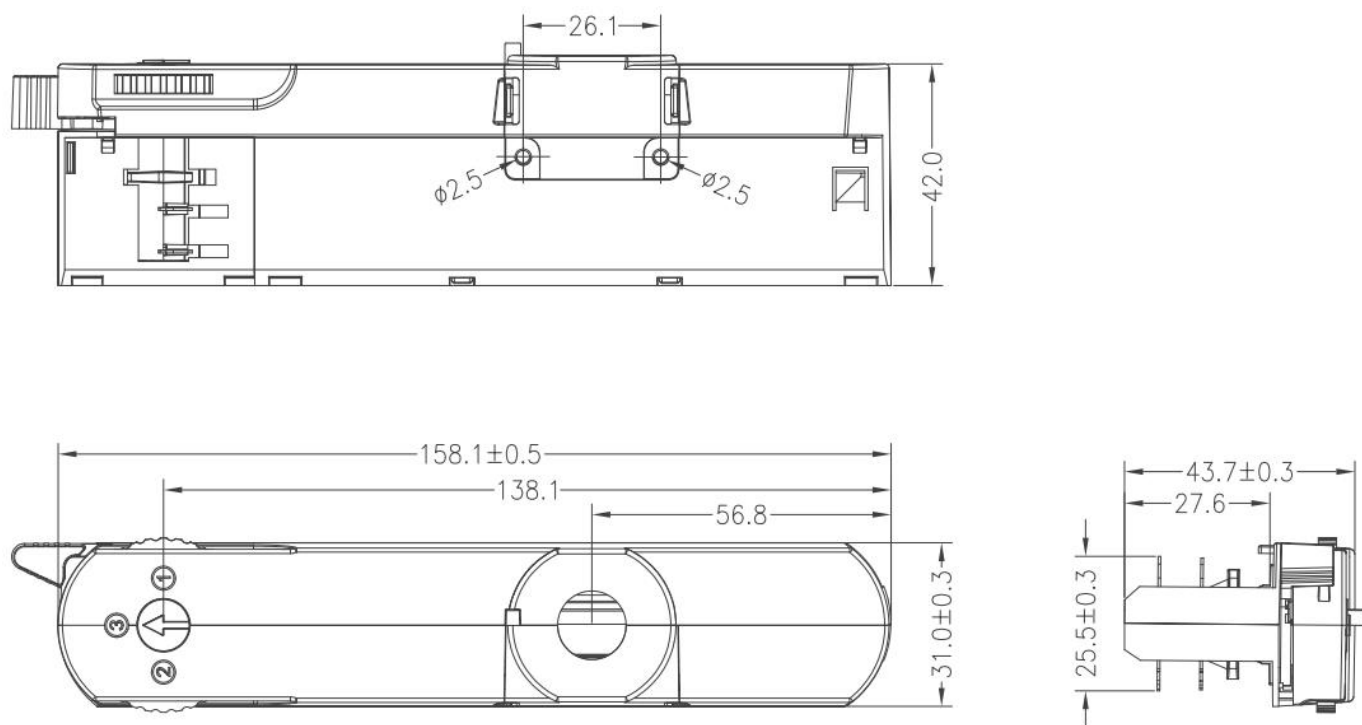
3. Connected quantities of different current Breaker

TYPE	Connected quantities of different current Breaker					Input Voltage	Inrush Current	Time
	current (A)	10	13	16	20			
	Installation wire diameter	1.5mm ²	2.5mm ²	2.5mm ²	4mm ²	4mm ²		
TYPE B		33	43	53	67	83	@230VAC	18
TYPE C		53	69	85	107	133		
TYPE D		85	111	137	171	213		

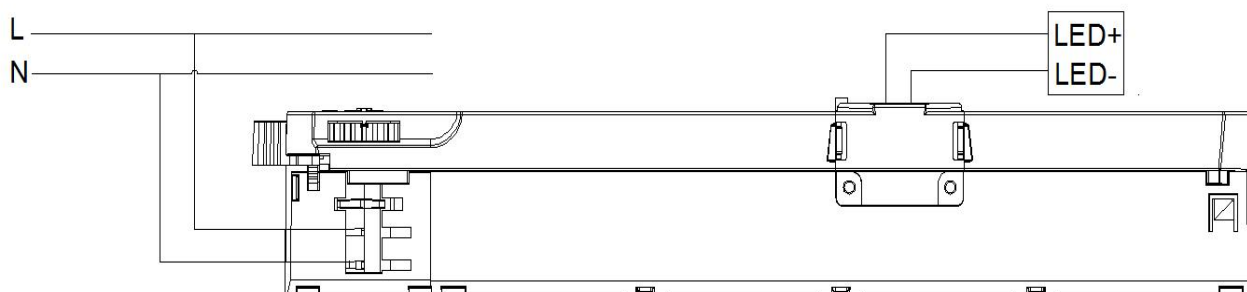
4. Output Current Setting

Output Current	1	2	3	4
200mA	-	-	-	-
250mA	-	-	-	ON
300mA	-	-	ON	-
350mA	-	-	ON	ON
400mA	-	ON	-	-
450mA	-	ON	-	ON
500mA	-	ON	ON	-
550mA	-	ON	ON	ON
600mA	ON	-	-	-
650mA	ON	-	-	ON
700mA	ON	-	ON	-

5. Dimension



6. Wiring Diagram



7. Packing information

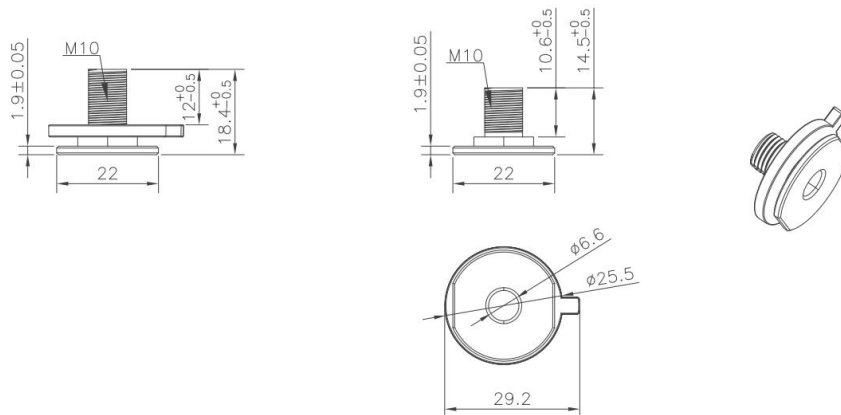
Packing way	Model	Colour	Carton L*W*H(mm)	Pcs/ Carton	Net weight/ Pcs(kg)	Net weight/ Carton(kg)	Gross weight/ Carton(kg)
industrial	SC30W200-700CG-4W	White	525*285*390	150	0.125	18.75	20.07
	SC30W200-700CG-4B	Black					
	SC30W200-700CG-4G	Grey					

8. Lamp Screw Type

- Optional threaded sleeve for luminaire mounting
- Suitable for M10x1x8 threaded nut
- Additional mounting equipment, e.g. M10x1x12
- aluminium, black, white
- further on request

Ordering data

Type	Colour	Article number	Qty/ctn	Weight/pcs
M10x8	White	AL	PC	9.04
	Black	AL	PC	9.04
	Gray	AL	PC	9.04
M10x12	White	AL	PC	9.72
	Black	AL	PC	9.72
	Gray	AL	PC	9.72



9. Suitable for following tracks

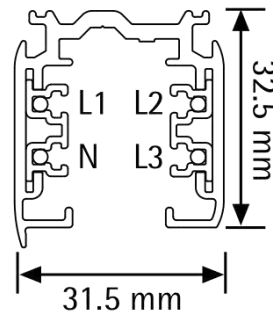
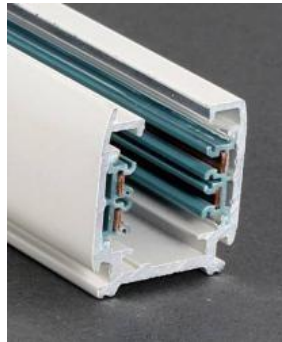
Serial number	Brand	Track model	System
1	Global	XTS11 & XTSC611	3P
2	A.A.G STUCCHI	9000-1-ST	3P
3	Eutrac	25-106	3P
4	Unipro	T32B	3P
5	PowerGEAR	Pro-0431L&Pro-D631R	3P
6	ERCO	1079301000	3P
7	BELINIEGRA	4X	3P

Remark:

1. The model name is XTS11 and XTSC611 tracks, and its brand is Global.
2. The model name used is the 9000-1-ST track, and its brand is A.A.G STUCCHI.
3. The model name is 25-106 tracks, and its brand is Eutrac.
4. The model name is T32B tracks, and its brand is Unipro.

5. The model name is Pro-0431L and Pro-D631R tracks, and its brand is PowerGEAR.
6. The model name is 1079301000 tracks, and its brand is ERCO.
7. The model name is 4X tracks, and its brand is BELINIEGRA

10. Phase track light rail specification:



11. Lighting track adapter and rail system installation diagram:



The adaptor shall be given that the use is limited to the track system specified.

12. Wiring instructions

- All connections must be kept as short as possible to ensure good EMI behaviour
- Mains leads should be kept apart from LED Driver and other leads (ideally 5 – 10 cm distance)
- Advice the maximum length of output wires is 3 m
- Secondary switching is not permitted (Except for constant voltage)
- Incorrect wiring can damage LED modules.
- The wiring must be protected against short circuits to earth (sharp edged metals parts, metal cable clips, louver, etc.)