

# DARK LIGHT

## PROFILES



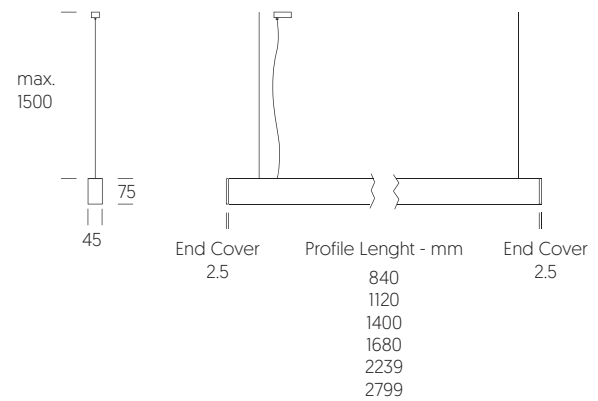
	W	mm	mA	LUM	CRI
DARK_08	21	840		>3900	>85
DARK_11	27	1120		>5200	>85
DARK_14	34	1.400		>6500	>85
DARK_17	41	1.680	350	>7800	>85
DARK_22	54	2.239		>10400	>85
DARK_28	68	2.799		>15600	>85

Para medidas mas largas de 2810 mm, utilizar combinaciones de perfiles.  
For longer measurements of 2810 mm You have to use combination of differents profiles.

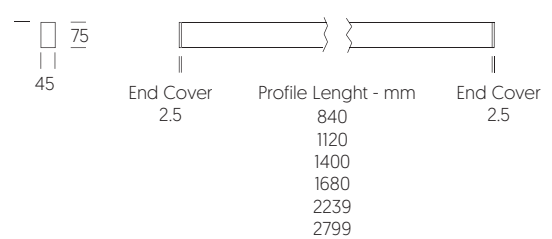
IMPORTANTE: Una alimentación para máximo 10 metros. / ATTENTION: Maximum 10 meters per one power supply.

## TEC.DRAWINGS

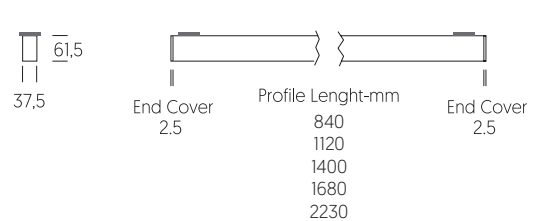
### Pendant Version



### Surface Version



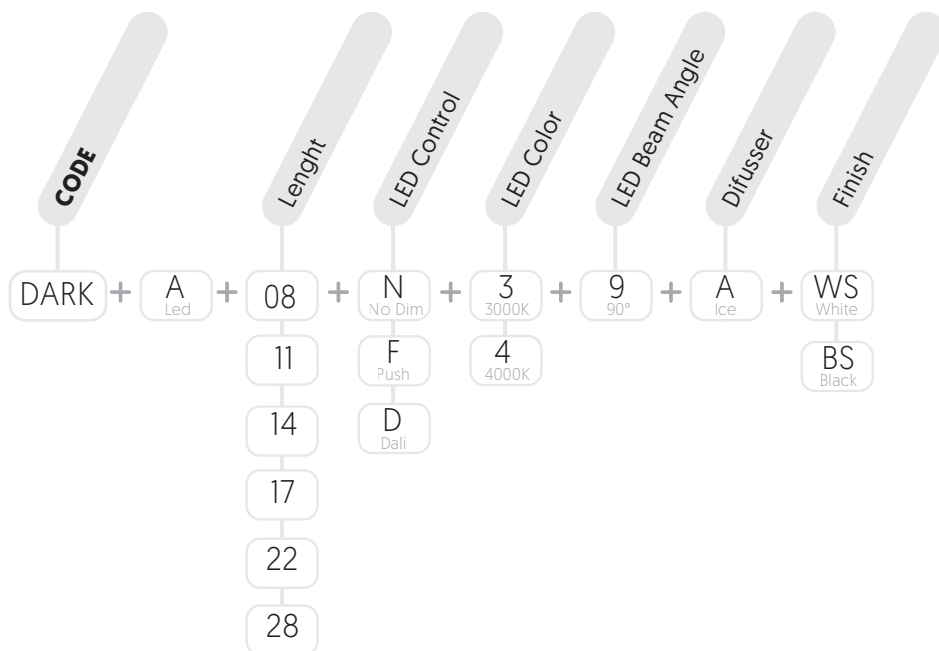
### Track Version



LED  230V IP20

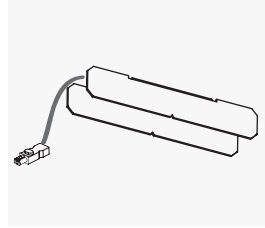
 60,000h L80  McAdam C3

## LUMINARY CODE



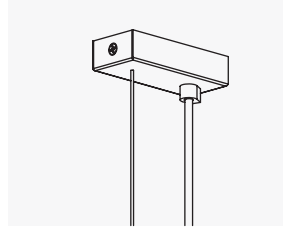
**COMPLEMENTS CODES**  
PENDANT VERSION

1.5Metros estandar - Standar 1.5 Meters  
\*5Metros opcional - Optional 5 Meters



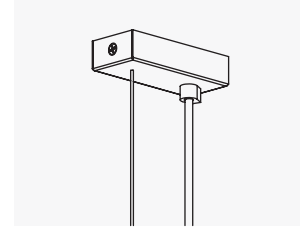
**Interior Joint NO-DIM**  
1.5Meters LNRUXNXXELUN1  
2.0Meters LNRUXNXXELUN2

**Interior Joint DIM**  
1.5Meters LNRUXDXXELUD1  
2.0Meters LNRUXDXXELUD2



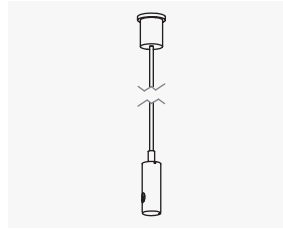
**Electrical Susp. DIM**

1.5Meters LNEKKSED150BS Black  
1.5Meters LNEKKSED150WS White  
\*5Meters LNEKKSED500BS Black  
\*5Meters LNEKKSED500WS White



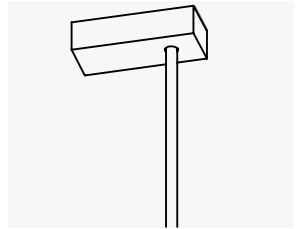
**Electrical Susp. NO-DIM**

1.5Meters LNEKKSEN500BS Black  
1.5Meters LNEKKSEN150WS White  
\*5Meters LNEKKSEN500BS Black  
\*5Meters LNEKKSEN500WS White



**Kit Suspension**

1.5Meters LNEKKSUP150BS Black  
1.5Meters LNEKKSUP150SS Silver  
\*5Meters LNEKKSUP500BS Black  
\*5Meters LNEKKSUP500SS Silver

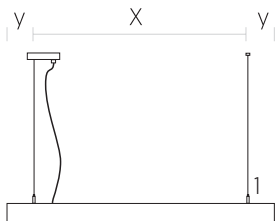
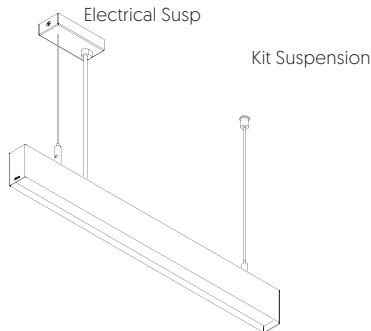


**Kit Susp. Bar**

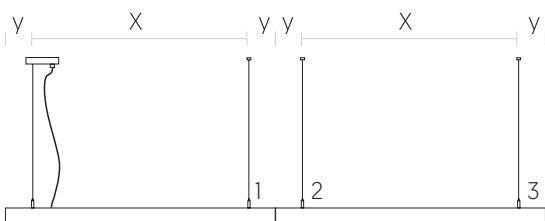
NO DIM LNEKBSEN150BS Black  
NO DIM LNEKBSEN150WS White  
DALI LNEKBSED150BS Black  
DALI LNEKBSED150WS White

**SINGLE VERSION**

Line 07 - 14 - 18 - 22 - 28



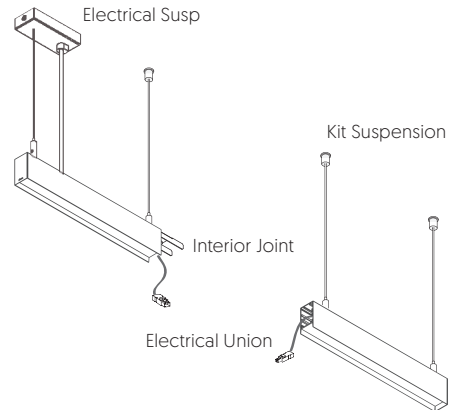
Line 08-11-14-17-22



Line 30-33-42-45-50-66

**CONTINUOUS VERSION**

Line 32 - 37 - 42 - 46 - 50 - 56

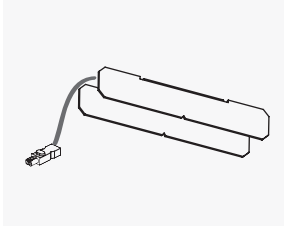


**GUÍA COMPLEMENTOS/ COMPLEMENTS GUIDE**

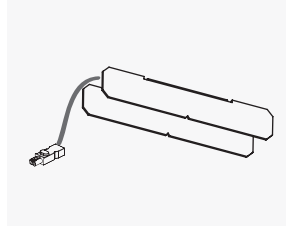
Ref.	Lenght	Elect Susp	Kit Susp.	Ele.Union	X	Y
Dark 08	08	840 mm	1	1	-	50
Dark 11	11	1.120mm	1	1	-	50
Dark 14	14	1.400 mm	1	1	-	50
Dark 17	17	1.680 mm	1	1	-	50
Dark 22	22	2.239 mm	1	1	-	50
Dark 28	28	2.799 mm	1	1	-	50
Dark 30	14+17	3.080 mm	1	3	1.5m	50
Dark 33	17+17	3.360 mm	1	3	2m	50
Dark 42	28+14	4.199mm	1	3	1.5m	50
Dark 45	28+17	4.479	1	3	1.5m	50
Dark 50	28+22	5.038 mm	1	3	1.5m	50
Dark 56	28+28	5.598 mm	1	3	1.5m	50

## COMPLEMENTS CODES

### SURFACE VERSION



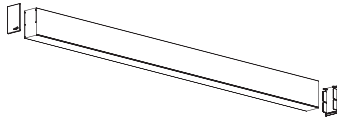
**Interior Joint NO-DIM**  
1.5Meters LNRUXNXXELUN1  
2.0Meters LNRUXNXXELUN2



**Interior Joint DIM**  
1.5Meters LNRUXDXXELUD1  
2.0Meters LNRUXDXXELUD2

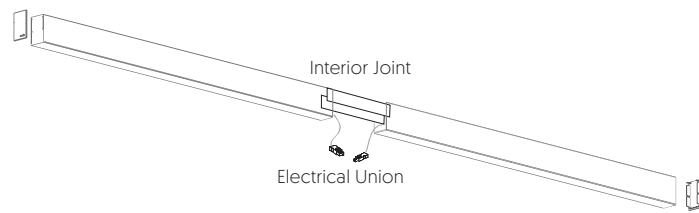
### SINGLE VERSION

Dark 07 - 14 - 18 - 22 - 28



### CONTINUOUS VERSION

Dark 30 -33 -42- 45 - 50 -56

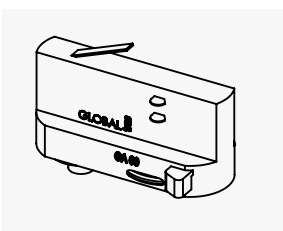


### GUÍA COMPLEMENTOS/ COMPLEMENTS GUIDE

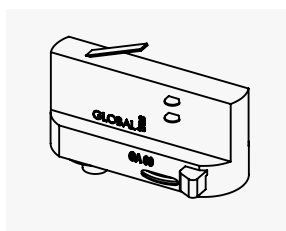
Ref.		Lenght (L)	Ele. Union
Dark 08	08	840 mm	-
Dark 11	11	1.120mm	-
Dark 14	14	1.400 mm	-
Dark 17	17	1.680 mm	-
Dark 22	22	2.239 mm	-
Dark 28	28	2.799 mm	-
Dark 30	14+17	3.080 mm	1.5m
Dark 33	17+17	3.360 mm	2m
Dark 42	28+14	4.199mm	1.5m
Dark 45	28+17	4.479	1.5m
Dark 50	28+22	5.038 mm	1.5m
Dark 56	28+28	5.598 mm	1.5m

## COMPLEMENTS CODES

### TRACK VERSION



**Feed Track NO-DIM**  
Black LNWXXTRN000BS  
White LNWXXTRN000WS



**Feed Track DALI**  
Black LNWXXTRD000BS  
White LNWXXTRD000WS

### GUÍA COMPLEMENTOS/ COMPLEMENTS GUIDE

Ref.		Lenght (L)	Ele. Union
Dark 08	08	840 mm	-
Dark 11	11	1.120mm	-
Dark 14	14	1.400 mm	-
Dark 17	17	1.680 mm	-